

MITSUBISHI

General-Purpose AC Servo

MELSERVO

Maintenance junction card MR-J2CN3TM Installation Guide

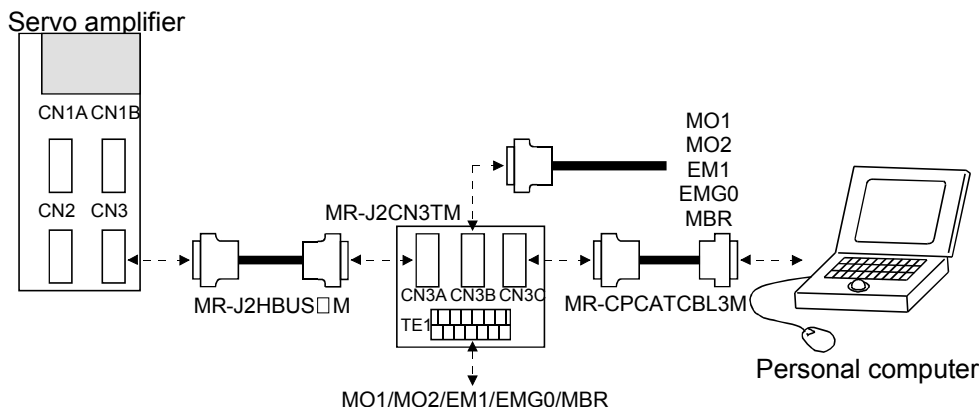
When you use the Maintenance junction card MR-J2CN3TM, please use safely a Servo Amplifier Instruction Manual and a Specifications and Instruction Manual on reading collectively.

POINT

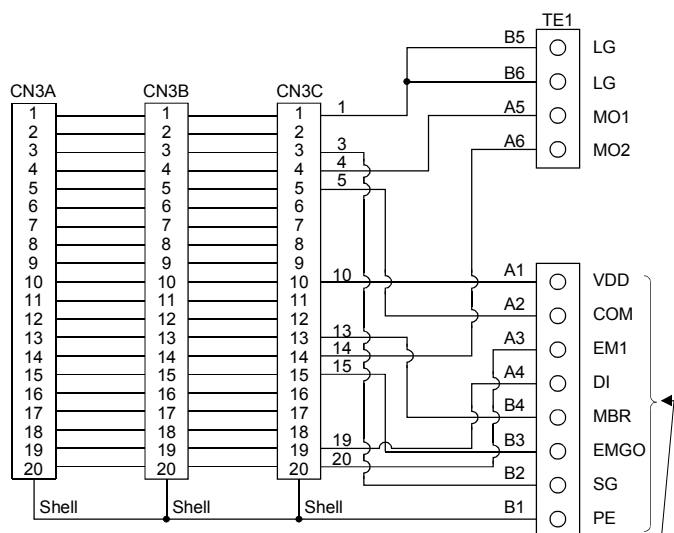
- 11kW or more allows only the relaying of signals using CN3A/CN3C. Since TE1 cannot be used, keep it open.

The maintenance junction card (MR-J2CN3TM) is the option of the MR-J2 series and MR-J2-Super series. This card is designed for use when a personal computer and analog monitor outputs are used at the same time.

1. Wiring method

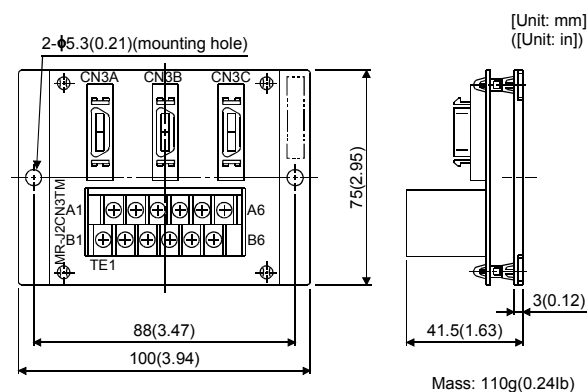


2. Connection figure



These are not used other than the MR-J2-B and MR-J2S-B.

3. Outline Dimension Drawings



MITSUBISHI ELECTRIC CORPORATION

HEAD OFFICE: TOKYO BLDG MARUNOUCHI TOKYO 100-8310

This installation guide uses recycled paper.