



FX-4AD SPECIAL FUNCTION BLOCK

USER'S GUIDE

JY992D52601E

This manual contains text, diagrams and explanations which will guide the reader in the correct installation and operation of the FX-4AD special function block and should be read and understood before attempting to install or use the unit.

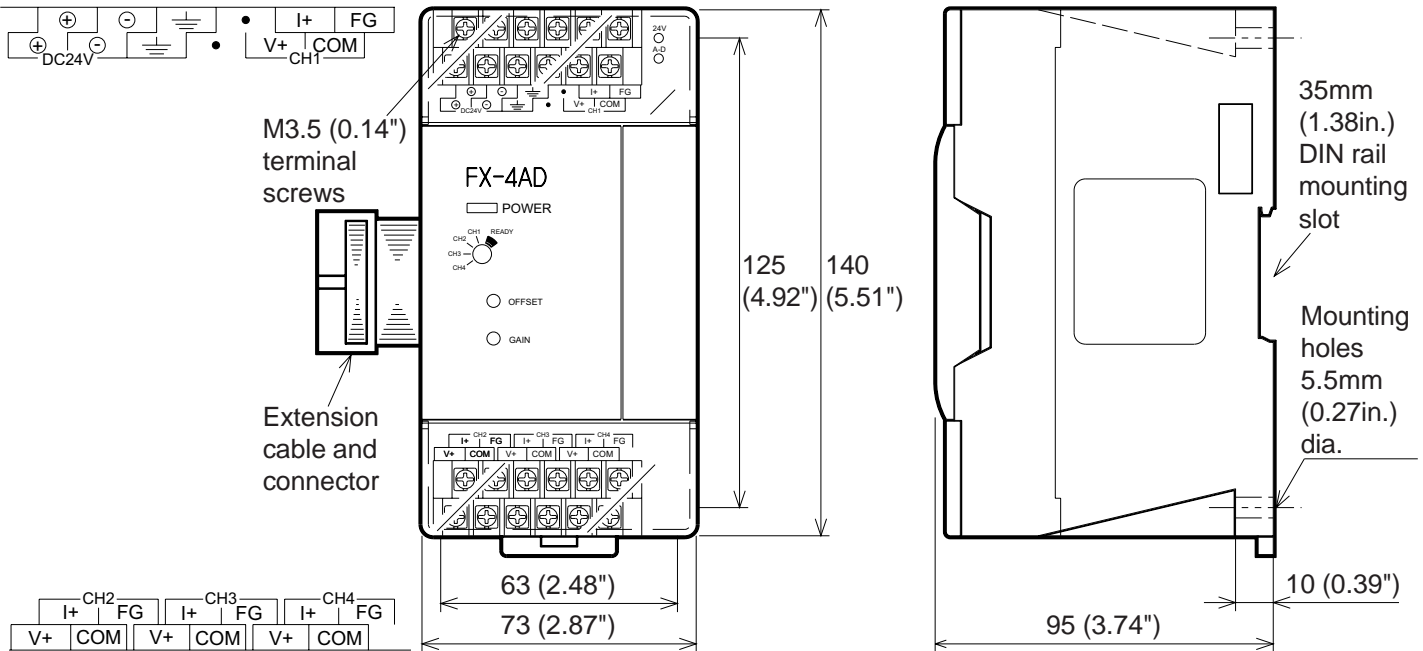
Further information can be found in the FX PROGRAMMING MANUAL and FX SERIES HARDWARE MANUAL.

1 INTRODUCTION

- The FX-4AD analog special function block has four input channels. The input channels receive analog signals and convert them into a digital value. This is called an A/D conversion. The FX-4AD has a maximum resolution of 12 bits.
- The selection of voltage or current based input/output is by user wiring. Analog ranges of -10 to 10V DC (resolution: 5mV), and/or 4 to 20mA, -20 to 20mA (resolution: 20 μ A) may be selected.
- FX PC versions 2.0 or later (those with serial number 130000 or larger) are required as these units have the TO/FROM applied instructions in their instruction set. Data transfer between the FX-4AD and the FX base unit is by buffer memory exchange. There are 32 buffer memories (each of 16 bits) in the FX-4AD.
- The FX-4AD occupies 8 points of I/O on the FX, FX2c expansion bus. The 8 points can be allocated from either inputs or outputs. The FX-4AD draws 30mA from the 5V rail of the FX base unit or powered extension unit.

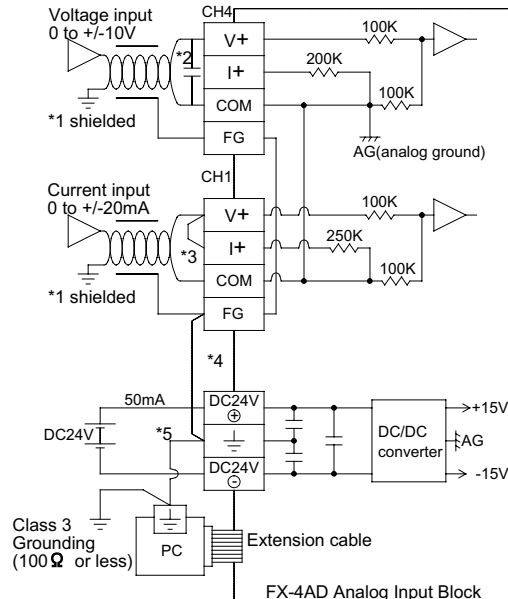
1.1 External dimensions

weight : Approx 0.5kg (1.1 lbs) Dimensions:mm (inches)



2

TERMINAL LAYOUTS



*1 The analog input is received through a twisted pair shielded cable. This cable should be wired separately from power lines or any other lines which may induce electrical noise.

*2 If a voltage ripple occurs during input, or there is electrically induced noise on the external wiring, connect a smoothing capacitor of 0.1 to 0.47 μ F, 25V.

*3 If you are using current input, connect the V+ and I+ terminals to each other.

*4 If there is excessive electrical noise, connect the FG frame ground terminal with the grounded terminal on the FX-4AD.

*5 Connect the ground terminal on the FX-4AD unit with the grounded terminal on the base unit. Use class 3 grounding on the base unit, if available.

3.1 General specification

Item	Specification
General specifications(excluding withstand voltage)	Same as those for the FX base unit

3.2 Power supply specification

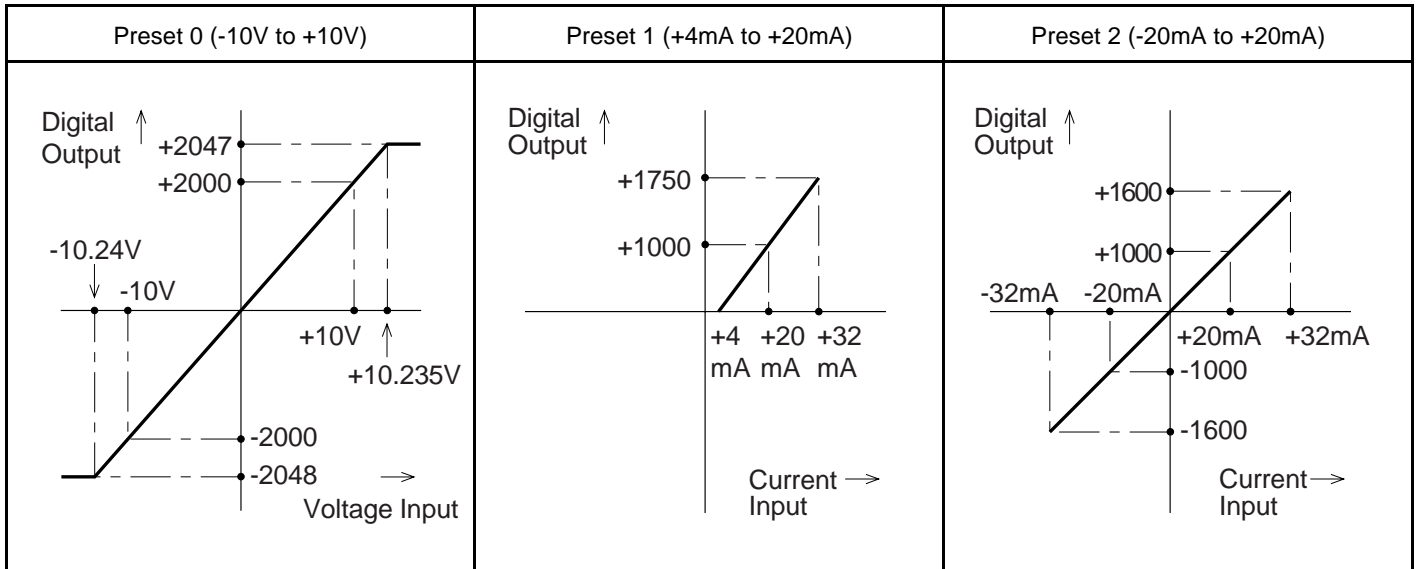
Item	Specification
Analog circuits	24V DC +/- 10%, 50mA(External power supply from base unit)
Digital circuits	5V DC, 30mA(Internal power supply from base unit)

3.3 Performance specifications

Analog inputs

Item	Voltage input	Current input
	Either voltage or current input can be selected with your choice of input terminal. Up to four input points can be used at one time.	
Analog input range	DC -10V to +10V (input resistance:200K Ω). Warning:this unit may be damaged by input voltage in excess of +/-15V.	DC -20mA to +20mA (input resistance:250 Ω). Warning:this unit may be damaged by input currents in excess of +/-32mA.
Digital output	12-bit conversion stored in 16-bit 2's complement form. Maximum value:+2047 Minimum value:-2048	
Resolution	5mV (10V default range 1/2000)	20 μ A(20mA default range 1/1000)
Overall accuracy	+/-1% (for the range of -10V to +10V)	+/-1% (for the range of -20mA to +20mA)
Conversion speed	15ms/channel (Normal speed), 6ms/channel (High speed)	

Analog inputs continued.....



NOTE: Preset ranges are selected by an appropriate setting in buffer memory of the analog block.
Current/Voltage input selection must match the correct input terminal connections.

Miscellaneous

Item	Specification
Isolation	Photo-coupler isolation between analog and digital circuits. DC/DC converter isolation of power from FX base unit. No isolation between analog channels.
Number of occupied I/O points	8 points taken from the FX expansion bus (can be either inputs or outputs)

3.4 Allocation of buffer memories (BFM)

BFM	Contents	
*# 0	Channel initialization Default = H0000	
*# 1	Channel 1	Contains the number of samples (1 to 4096) to be used for an averaged result. The default setting for normal speed is 8. The default setting for high speed is 1.
*# 2	Channel 2	
*# 3	Channel 3	
*# 4	Channel 4	
# 5	Channel 1	These buffer memories contain the averaged input values for the number of samples entered for the channel in buffer memories #1 to #4 respectively.
# 6	Channel 2	
# 7	Channel 3	
# 8	Channel 4	
# 9	Channel 1	These buffer memories contain the present value currently being read by each input channel.
#10	Channel 2	
#11	Channel 3	
#12	Channel 4	
#13-#14	Reserved	
#15	Selection of A-D conversion speed see note 2	When set to 0, a normal speed is selected of 15ms/ch (default)
		When set to 1, a high speed is selected of 6ms/ch
#16-#19	Reserved	

In buffer memory locations (BFMs) marked with an "*" data can be written from the PC using the TO command.

For buffer memories (BFMs) without the "*" mark, data can be read to the PC using the FROM command.

Before reading from the analog special function block, ensure these settings have been sent to the analog special function block. Otherwise, the previous values held in the analog block will be used.

BFM									b7	b6	b5	b4	b3	b2	b1	b0
*#20	Reset to Defaults and Preset.								Default=0							
*#21	Offset, Gain Adjust Prohibit.								Default=(0,1)Permit							
*#22	Offset, Gain Adjust								G4	O4	G3	O3	G2	O2	G1	O1
*#23	Offset Value								Default=0							
*#24	Gain Value								Default=5,000							
#25-#28	Reserved															
#29	Error status															
#30	Identification code K2010															
#31	Cannot be used															

The buffer memory also gives a facility to adjust offset and gain by software as well as by panel switches of the FX-4AD unit. (see note 3)

Offset (intercept): The analog input value when the digital output becomes 0.

Gain (slope): The analog input value when the digital output becomes +1000.

(1) Channel Selection

Channel initialization is made by a 4 character HEX number HOOOO in buffer memory BFM #0.

The least significant character controls channel 1 and the 4 character controls channel 4.

Setting of each character is as follows:

O = 0: Preset range (-10V to +10V)

O = 2: Preset range (-20mA to +20mA)

O = 1: Preset range (+ 4mA to + 20 mA)

O = 3: Channel OFF

Example: H3310

CH1: preset range (-10V to +10V)

CH2: preset range (+ 4mA to +20mA)

CH3, CH4: Channel OFF

(2) Analog to Digital Conversion Speed Change

By writing 0 or 1 into BFM #15 of the FX-4AD, the speed at which A-D conversion is performed can be changed. However the following points should be noted:

To maintain a high speed conversion rate, use the FROM/TO commands as seldom as possible.

NOTES: When a conversion speed change is made, BFM #1-#4 are set to their default values immediately after the change.

This is regardless of the values they held originally. Bear this in mind if a speed change will be made as part of the normal program execution.

(3) Adjusting Gain and Offset Values

- (a) When buffer memory BFM #20 is activated by setting it to K1, all settings within the analog special function block are reset to their default settings. This is a very quick method to erase any undesired gain and offset adjustments.
- (b) If (b1, b0) of BFM #21 is set to (1,0), gain and offset adjustments are prohibited to prevent inadvertent changes by the operator. In order to adjust the gain and offset values, bits (b1, b0) must be set to (0,1). The default is (0,1).
- (c) Gain and offset values of BFM #23 and #24 are sent to non-volatile memory gain and offset registers of the specified input channels. Input channels to be adjusted are specified by the appropriate G-O (gain-offset) bits of BFM #22 Example: If bits G1 and O1 are set to 1, input channel 1 will be adjusted when BFM #22 is written to by a TO instruction.
- (d) Channels can be adjusted individually or together with the same gain and offset values.
- (e) Gain and offset values in BFM #23 #24 are in units of mV or μ A. Due to the resolution of the unit the actual response will be in steps of 5mV or 20 μ A.

(4) Status information BFM #29

Bit	ON	OFF
b 0:Error	When any of b1 to b4 is ON. If any of b2 to b4 is ON,A/D conversion of all the channels is stopped	No error
b 1:Offset/Gain error	Offset/Gain data in EEPROM is corrupted or adjustment error.	Offset/Gain data normal
b 2:Power source abnormality	DC 24V power supply failure	Power supply normal
b 3:Hardware error	A/D converter or other hardware failure	Hardware normal
b 8:Not READY	FX-4AD MODE switch is not set to READY	READY mode
b10:Digital range error	Digital output value is less than -2048 or more than +2047	Digital output value is normal
b11:Averaging error	Number of averaging samples is 4097 or more or 0 or less (default of 8 will be used)	Averaging is normal (between 1 and 4096)
b12: Offset/Gain adjust prohibit	Prohibit-(b1,b0) of BFM #21 is set to (1,0)	Permit-(b1,b0) of BFM #21 is set to (0,1)

NOTE : • b4 to b7,b9 and b13 to b15 are undefined.

(5) Identification code BFM #30

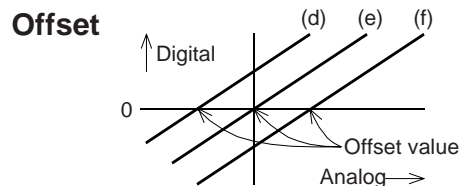
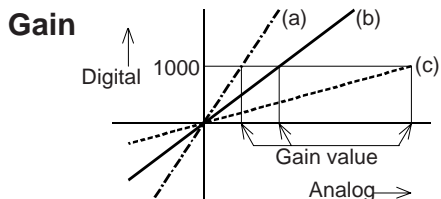
The identification (or ID) code number for a Special Function Block is read using the FROM command.

The code for the FX-4AD unit is K2010.

The user's program in the PC can use this facility in the program to identify the special function block before commencing data transfer from and to the special function block.

CAUTION

- *Values of BFM #0, #23 and #24 are copied to EEPROM memory of the FX-4AD. BFM #21 and BFM #22 are only copied when data is written to the gain/offset command buffer BFM #22. Also, BFM #20 causes writing to the EEPROM memory. The EEPROM has a life of about 10,000 cycles (changes), so do not use programs which frequently change these BFMs.*
- *Because of the time needed to write to the EEPROM memory, a delay of 300 ms is required between instructions that cause a write to the EEPROM. Therefore, a delay timer should be used before writing to the EEPROM a second time.*



Gain determines the angle or slope of the calibration line, identified at a digital value of 1000.

- (a) Small gain -- Large steps in digital readings
- (b) Zero gain --- default : 5V or 20mA
- (c) Large gain - Small steps in digital readings

Offset is the 'Position' of the calibrated line, identified at a digital value of 0.

- (d) Negative offset
- (e) Zero offset - default : 0V or 4mA
- (f) Positive offset

Offset and gain can be set independently or together. Reasonable offset ranges are -5 to +5V or -20mA to 20mA, and gain values 1V to 15V or 4mA to 32mA. Gain and offset can be adjusted by software in the FX base unit (see program example 2) or by the switches on the FX-4AD (with the aid of a voltmeter/ammeter)

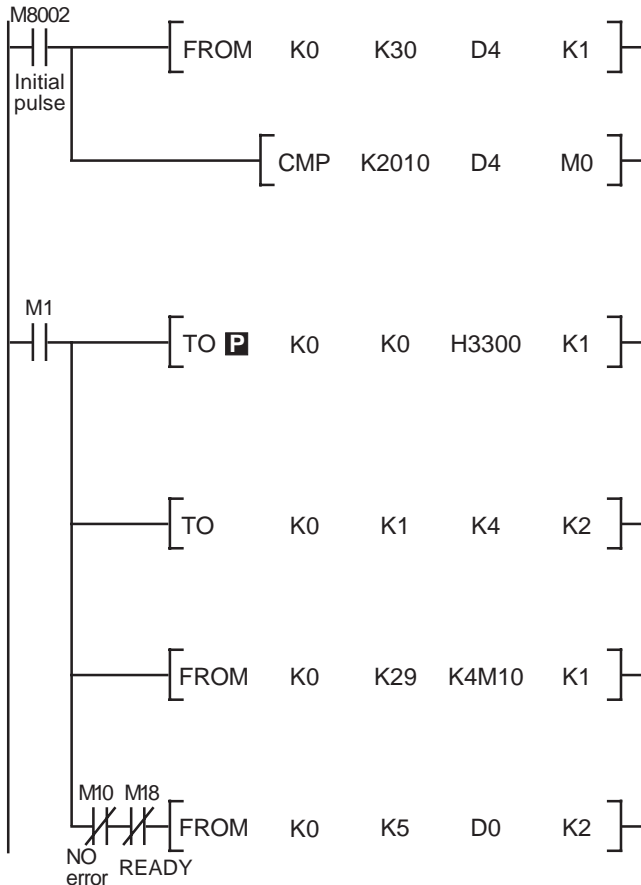
- Bit device's b1, b2 of the gain/offset BFM #21 should be set to 0, 1 to allow adjustment.
- Once adjustment is complete these bit devices should be set to 1, 0 to prohibit any further changes.
- Channel initialization (BFM #0) should be set to the nearest range, i. e. voltage/current etc.

1. Power the system up (the FX base unit can be in either RUN or STOP mode).
2. Set the FX-4AD MODE switch to the first channel number.
3. Apply the offset analog input to the terminal of the channel.
4. Press the OFFSET button once. The digital offset value (converted from the analog input value) is stored in the FX-4AD.
5. Apply the gain analog input to the input terminal of the channel to be adjusted.
6. Press the GAIN button once. The digital gain value is stored in the FX-4AD.
7. Repeat operations 3 to 6 for each channel you wish to use.
8. Set the FX-4AD MODE switch to READY to complete gain and offset adjustment.

NOTE If the MODE switch is not set to a channel number, the FX-4AD is regarded as being in the READY status and no adjustments can be made.

5.1 Basic program

In the following example channels CH1 and CH2 are used as voltage inputs. The FX-4AD block is connected at the position of special function block No.0. Averaging is set at 4 and data registers D0 and D1 of the PC receive the averaged digital data.



The ID code for the special function block at position "0" is read from BFM #30 of that block and stored at D4 in the base unit. This is compared to check the block is an FX-4AD, if OK M1 is turned ON. These two program steps are not strictly needed to perform an analog read. They are however a useful check and are recommended as good practise.

The analog input channels (CH1, CH2) are setup by writing H3300 to BFM #0 of the FX-4AD.

The number of averaged samples for CH1 and CH2 is set to 4 by writing 4 to BFM #1 and #2 respectively. Do not execute the pulse.

The operational status of the FX-4AD is read from BFM #29 and output as bit devices at the FX base unit.

If there are no errors in the operation of the FX-4AD, then the averaged data BFM's are read.

In the case of this example BFM #5 and #6 are read into the FX base unit and stored at D0 and D1. These devices contain the averaged data for CH1 and CH2 respectively.

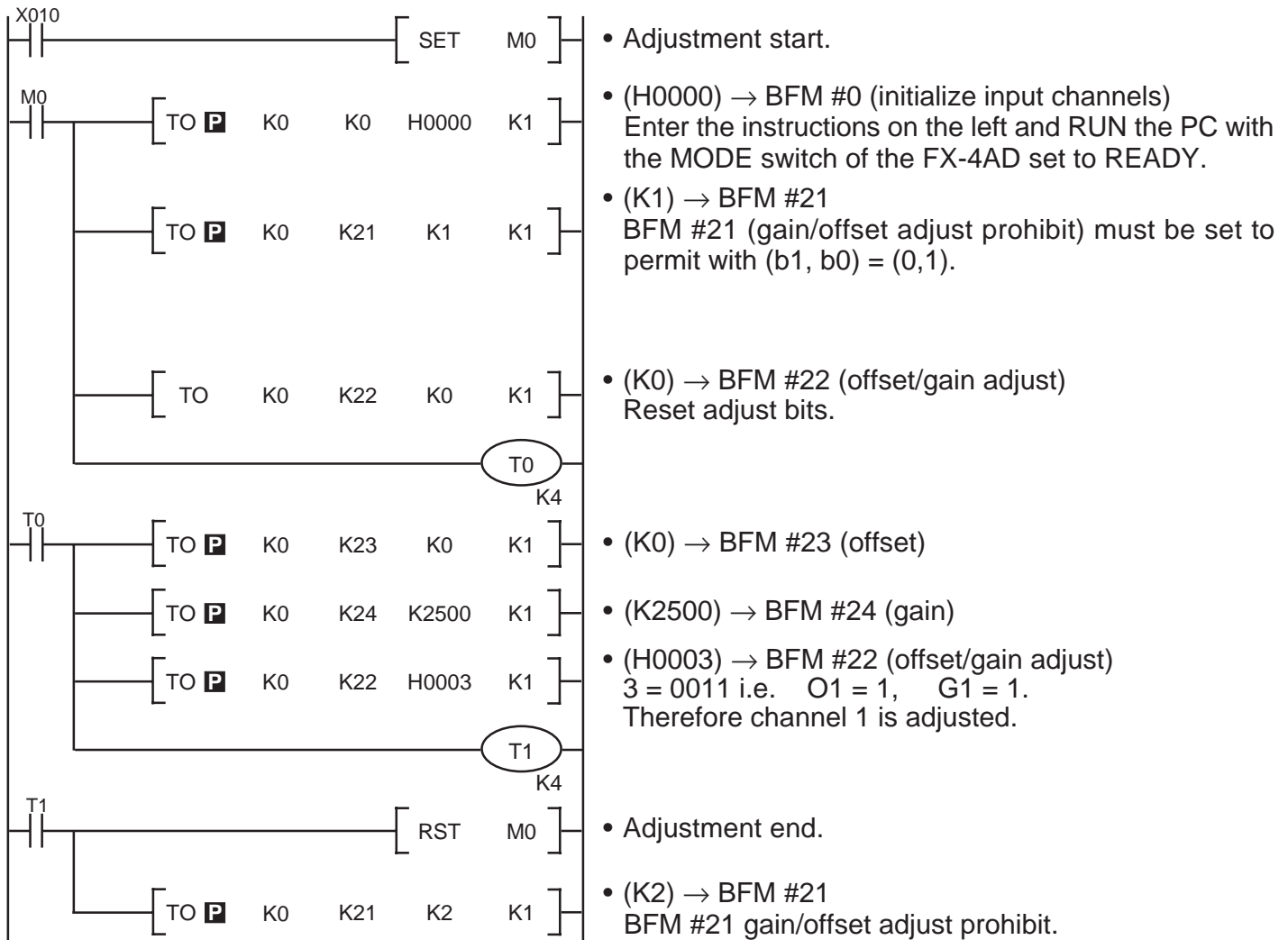
5.2 Using gain and offset in a program

The gain and offset of the FX-4AD can be adjusted using push-button switches on the input terminal of the PC. It can also be adjusted using software settings sent from the PC.

Only the gain and offset values in the memory of the FX-4AD need be adjusted. A voltmeter or an ammeter for the analog input is not needed. A program for the PC will be needed however.

The following is an example of changing the offset value on input channel CH1 to 0V and the gain value to 2.5V. The FX-4AD block is in the position of block No.0 (i.e. closest to the FX base unit).

Example: Adjusting gain/offset via software settings



6.1 Preliminary checks

- I Check whether the input wiring and/or expansion cables are properly connected on FX-4AD analog special function block.
- II Check that the FX system configuration rules have not been broken, i.e. the number of blocks does not exceed 8 and the total system I/O is equal or less than 256 I/O.
- III Ensure that the correct operating range has been selected for the application.
- IV Check that the MODE switch on the FX-4AD panel is set to the READY position.
- V Check that there is no power overload on either the 5V or 24V power source, remember the loading on a FX base unit or a powered extension unit varies according the number of extension block or special function blocks connected.
- VI Put the FX base unit into RUN.

6.2 Error checking

If the FX-4AD special function block does not seem to operate normally, check the following items.

- Check the status of the POWER LED.
Lit : The extension cable is properly connected.
Otherwise: Check the connection of the extension cable.
- Check the external wiring.
- Check the status of "24V" LED (top right cover of the FX-4AD).
Lit: FX-4AD is OK, 24V DC power source is OK.
Otherwise: Possible 24V DC power failure, if OK then possible FX-4AD failure.
- Check the status of the "A/D" LED (top right cover of the FX-4AD)
Lit: A/D conversion is proceeding normally
Otherwise: Check buffer memory #29 (error status). If any bits (b2 and b3) are ON, then this is why the A/D LED is OFF.

Guidelines for the safety of the user and protection of the FX-4AD special function block

- This manual has been written to be used by trained and competent personnel. This is defined by the European directives for machinery, low voltage and EMC.
- If in doubt at any stage during the installation of the FX-4AD always consult a professional electrical engineer who is qualified and trained to the local and national standards. If in doubt about the operation or use of the FX-4AD please consult the nearest Mitsubishi Electric distributor.
- Under no circumstances will Mitsubishi Electric be liable or responsible for any consequential damage that may arise as a result of the installation or use of this equipment.
- All examples and diagrams shown in this manual are intended only as an aid to understanding the text, not to guarantee operation. Mitsubishi Electric will accept no responsibility for actual use of the product based on these illustrative examples.

Manual number : JY992D52601

Manual revision : E

Data : APRIL 1998



MITSUBISHI ELECTRIC CORPORATION

HEAD OFFICE : MITSUBISHI DENKI BLDG MARUNOUCHI TOKYO 100 TELEX : J24532 CABLE MELCO TOKYO
HIMEJI WORKS : 840, CHIYODA CHO, HIMEJI, JAPAN