

Discontinuation Notice of Digital Panel Meter Model K3TE.

Product Discontinuation

Digital Panel Meter

Model K3TE-□□□□8



Model K3TE-□□□□4, -□□□□5, -□□□□6



Recommended Replacement

No recommended replacement

There is no our product.
Watanabe Electric Industry Co., Ltd
Model AP-101

[Discontinuation date]

The end of March, 2016

[Caution on recommended replacement]

There are some changes in rating and specifications.

Please read the catalog carefully for your understanding before using the product.

[Difference from discontinued product]

Recommended replacement Model	Body Color	Dimensions	Wire connection	Mounting Dimensions	Characteristics	Operation ratings	Operation methods
Model AP-101	**	*	**	*	*	-	-

** : Compatible

* : The change is a little/Almost compatible

-- : Not compatible

- : No corresponding specification



[Ordering Code]

Product discontinuation Model K3TE		Recommendable replacement Model AP-101																																																			
K3TE-□ □ 1 □ ① ② ③		AP-101-□ □ -□ ① ② ③																																																			
①② Input Code	③ Supply Voltage	①② Range	③ Power Supply																																																		
<table border="1"> <tr><td>V1</td><td>±199.9 mV</td></tr> <tr><td>V2</td><td>±1.999 V</td></tr> <tr><td>V3</td><td>±19.99 V</td></tr> <tr><td>V4</td><td>±199.9 V</td></tr> <tr><td>A1</td><td>±199.9 μA</td></tr> <tr><td>A2</td><td>±1.999 mA</td></tr> <tr><td>A3</td><td>±19.99 mA</td></tr> <tr><td>A4</td><td>±199.9 mA</td></tr> <tr><td>A5</td><td>±1.999 A</td></tr> </table>	V1	±199.9 mV	V2	±1.999 V	V3	±19.99 V	V4	±199.9 V	A1	±199.9 μA	A2	±1.999 mA	A3	±19.99 mA	A4	±199.9 mA	A5	±1.999 A	<table border="1"> <tr><td>4</td><td>100 to 120 VAC</td></tr> <tr><td>5</td><td>200 to 240 VAC</td></tr> <tr><td>6</td><td>24 VDC (internally insulated)</td></tr> <tr><td>8</td><td>24 VAC</td></tr> </table>	4	100 to 120 VAC	5	200 to 240 VAC	6	24 VDC (internally insulated)	8	24 VAC	<table border="1"> <tr><td>11</td><td>±199.9 mV</td></tr> <tr><td>12</td><td>±1.999 V</td></tr> <tr><td>13</td><td>±19.99 V</td></tr> <tr><td>14</td><td>±199.9 V</td></tr> <tr><td>21</td><td>±199.9 μA</td></tr> <tr><td>22</td><td>±1.999 mA</td></tr> <tr><td>23</td><td>±19.99 mA</td></tr> <tr><td>24</td><td>±199.9 mA</td></tr> <tr><td>25</td><td>±1.999 A</td></tr> </table>	11	±199.9 mV	12	±1.999 V	13	±19.99 V	14	±199.9 V	21	±199.9 μA	22	±1.999 mA	23	±19.99 mA	24	±199.9 mA	25	±1.999 A	<table border="1"> <tr><td>1</td><td>90 to 132 VAC</td></tr> <tr><td>2</td><td>180 to 264 VAC</td></tr> <tr><td>4</td><td>24 VDC (Isolated)</td></tr> </table>	1	90 to 132 VAC	2	180 to 264 VAC	4	24 VDC (Isolated)
V1	±199.9 mV																																																				
V2	±1.999 V																																																				
V3	±19.99 V																																																				
V4	±199.9 V																																																				
A1	±199.9 μA																																																				
A2	±1.999 mA																																																				
A3	±19.99 mA																																																				
A4	±199.9 mA																																																				
A5	±1.999 A																																																				
4	100 to 120 VAC																																																				
5	200 to 240 VAC																																																				
6	24 VDC (internally insulated)																																																				
8	24 VAC																																																				
11	±199.9 mV																																																				
12	±1.999 V																																																				
13	±19.99 V																																																				
14	±199.9 V																																																				
21	±199.9 μA																																																				
22	±1.999 mA																																																				
23	±19.99 mA																																																				
24	±199.9 mA																																																				
25	±1.999 A																																																				
1	90 to 132 VAC																																																				
2	180 to 264 VAC																																																				
4	24 VDC (Isolated)																																																				

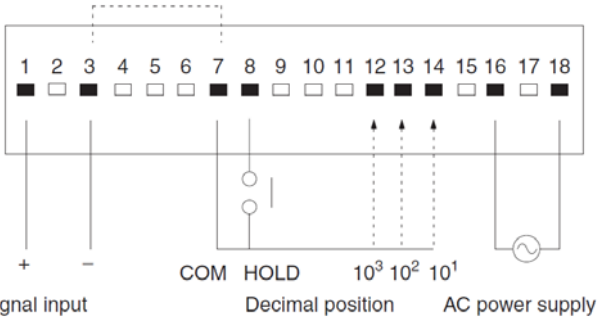
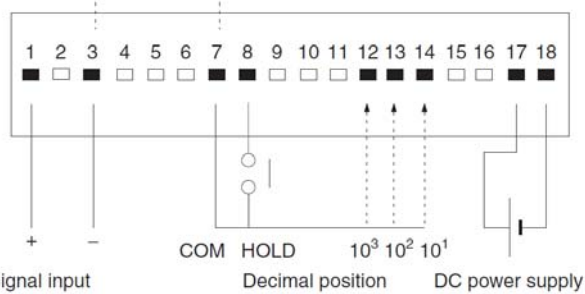
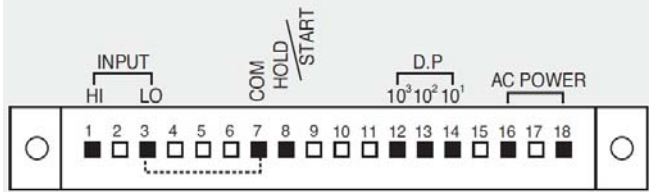
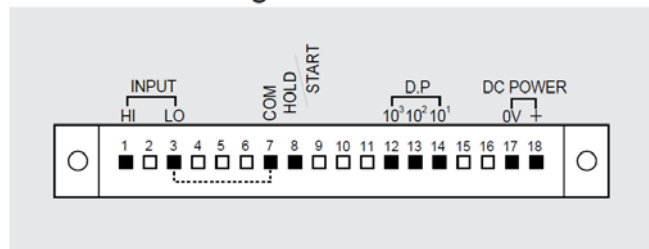
[Product Discontinuation and recommended replacement]

Product discontinuation	Recommended replacement
K3TE-V418	No recommended replacement
K3TE-V318	No recommended replacement
K3TE-V218	No recommended replacement
K3TE-V118	No recommended replacement
K3TE-A518	No recommended replacement
K3TE-A418	No recommended replacement
K3TE-A318	No recommended replacement
K3TE-A218	No recommended replacement
K3TE-A118	No recommended replacement
K3TE-V416	AP-101-14-4
K3TE-V415	AP-101-14-2
K3TE-V414	AP-101-14-1
K3TE-V316	AP-101-13-4
K3TE-V315	AP-101-13-2
K3TE-V314	AP-101-13-1
K3TE-V216	AP-101-12-4
K3TE-V215	AP-101-12-2
K3TE-V214	AP-101-12-1
K3TE-V116	AP-101-11-4
K3TE-V115	AP-101-11-2
K3TE-V114	AP-101-11-1
K3TE-A516	AP-101-25-4
K3TE-A515	AP-101-25-2
K3TE-A514	AP-101-25-1
K3TE-A416	AP-101-24-4
K3TE-A415	AP-101-24-2
K3TE-A414	AP-101-24-1
K3TE-A316	AP-101-23-4
K3TE-A315	AP-101-23-2
K3TE-A314	AP-101-23-1
K3TE-A216	AP-101-22-4
K3TE-A215	AP-101-22-2
K3TE-A214	AP-101-22-1
K3TE-A116	AP-101-21-4
K3TE-A115	AP-101-21-2
K3TE-A114	AP-101-21-1

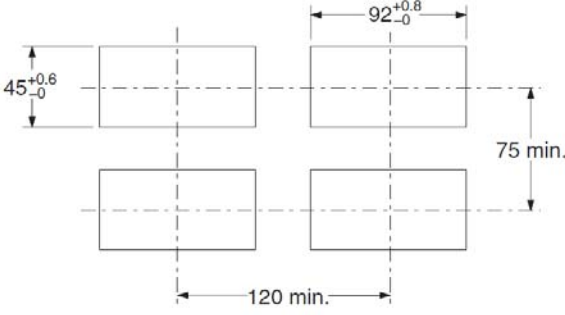
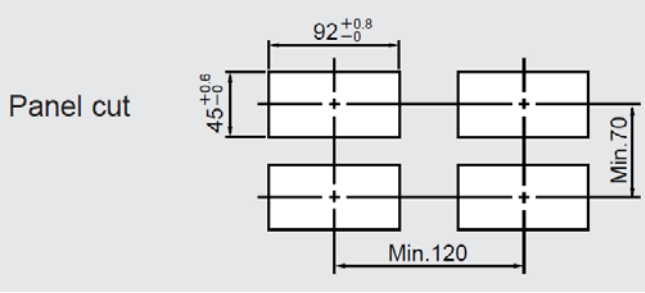
[Body color]

Product discontinuation Model K3TE	Recommendable replacement Model AP-101
<p>Black</p> 	<p>Black</p> 

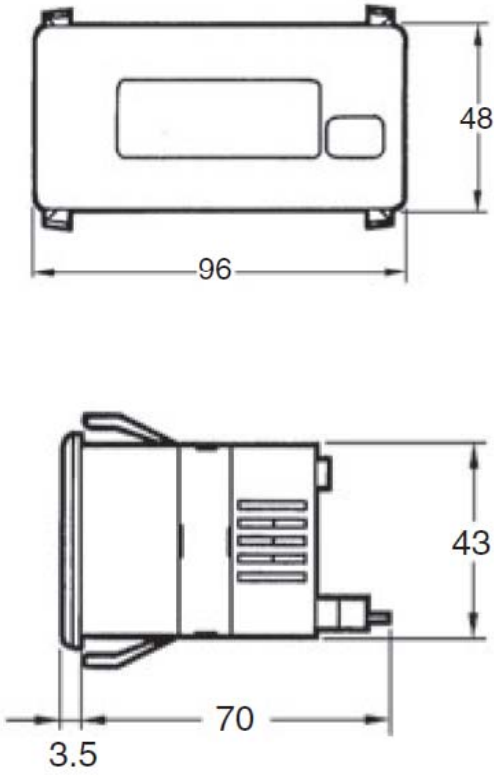
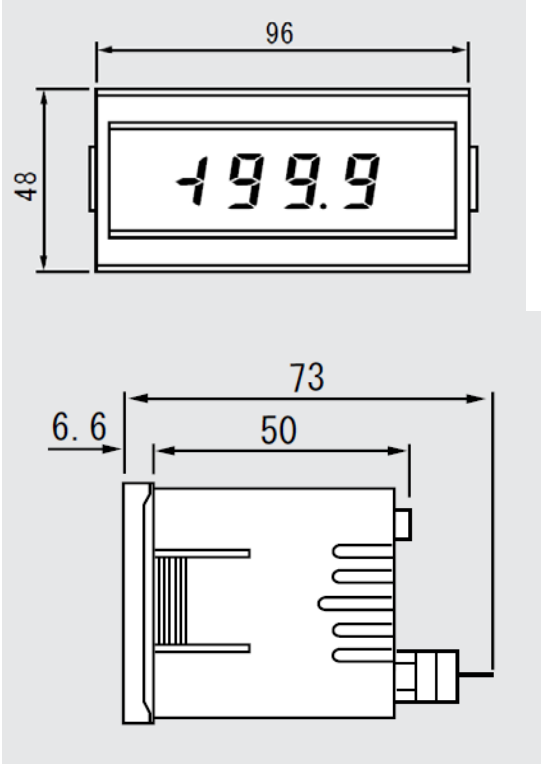
[Wire connection]

Product discontinuation Model K3TE	Recommendable replacement Model AP-101
<p>AC Power Supply</p>  <p>Signal input Decimal position AC power supply</p> <p>DC Power Supply</p>  <p>Signal input Decimal position DC power supply</p>	<p>AC Power Supply</p>  <p>DC Power Supply</p> <p>■ Connection Diagram</p> 

[Mounting dimensions]

Product discontinuation Model K3TE	Recommendable replacement Model AP-101
<p style="text-align: center;">Panel Cutouts</p>  <p>Note: The values above are recommended values. Do not group-mount the meters at intervals less than the recommended ones.</p>	

[Dimensions]

Product discontinuation Model K3TE	Recommendable replacement Model AP-101
	

[Characteristics]

Item	Product discontinuation Model K3TE	Recommendable replacement Model AP-101
Supply voltage	100 to 120 VAC 200 to 240 VAC (50/60 Hz) 24 VDC (internally insulated) 24 VAC	90 to 132 VAC 180 to 264 VAC 24 VDC (Isolated)
Operating voltage range	-15% to +10% of supply voltage	---
Power consumption	3 VA (at max. AC load); 1.3 W (at max. DC load)	1.5 VA
Insulation resistance	10 MΩ min. (at 500 VDC) between external terminal and case	AC type; Between input (Lo) terminal and earth. Between power supply terminal and input terminal, earth, common, case, 500 VDC 100 M DC type; Between input (Lo) and power supply (0 V), 500 VDC 100 M
Dielectric strength	AC model: 2,000 VAC min. for 1 min between input terminal and power supply DC model: 500 VDC min. for 1 min between input terminal and power supply AC/DC model: 2,000 VAC min. for 1 min between external terminal and case	AC type; Between input (Lo) terminal and earth, 500 VDC Between power supply terminal and input terminal, earth, common, case, 1500 VAC/ 1 min. DC type; Between input (Lo) and power supply (0V), ±500 VDC
Ambient temperature	Operating: -10° to 55°C (with no icing) Storage: -20° to 65°C (with no icing)	Operating 0 to 50°C
Ambient humidity	Operating: 35% to 85% (with no condensation)	Operating 35 to 85% RH
Max. displayed digits	3 1/2 digits (±1999)	1999
Display	7-segment red LED	LED 14.2 mm 3 1/2-digit
Measuring range	DC voltage	±199.9 mV ±1.999 V ±19.99 V ±199.9 V
	DC current	±199.9 μA ±1.999 mA ±19.99 mA ±199.9 mA ±1.999 A
Accuracy	±0.1%rdg ±1 digit ±0.3%rdg ±1 digit only for ±1.999 mA (at 23±5°C)	DC Voltage Measurement ±0.1% rdg. ±1 digit (23°C±5°C) DC Current Measurement ±0.2% rdg. ±1 digit (23°C±5°C) ±0.3% rdg. ±1 digit only for AP-101-25

Specifications and prices in this product news are as of the issue date and are subject to change without notice.
Only main changes in specifications are described in this document. Please be sure to read the relevant catalogs, datasheets, product specifications, instructions, and manuals for precautions and necessary information when using products.