

Product Discontinuation Notices

September 1, 2011

Safety Door Switches

No. 2011308E

Discontinuation Notice of part of D4BS series

Product Discontinuation

Safety-Door Switch



Part of D4BS series

Recommended Replacement

Safety-Door Switch

D4NS series



Discontinuation date : The end of March, 2012

Caution on recommended replacement

- Appearance and dimensions are different
- Mounting dimensions are different
- Characteristics and operation ratings are different

Difference from discontinued product

Model	Body Color	Dimensions	Wire connection	Mounting Dimensions	Characteristics	Operation ratings	Operation methods
D4NS series	--	--	--	--	--	--	*

** : Fully compatible

* : The change is a little/Almost compatible



-- : Not compatible

- : No corresponding specification

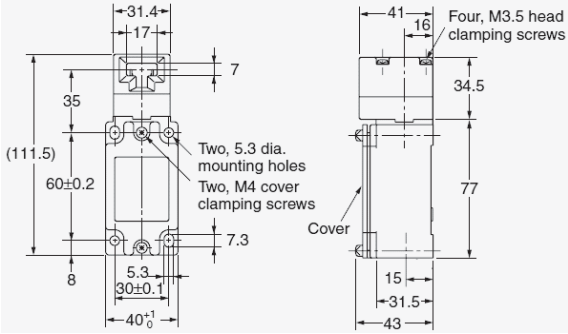
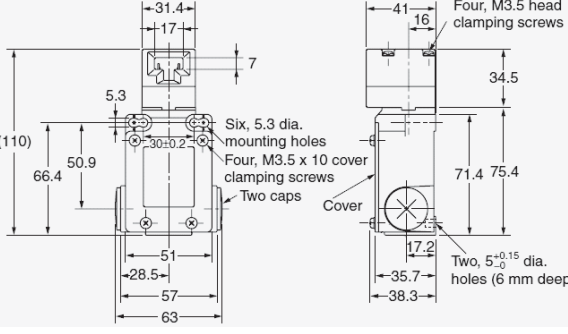
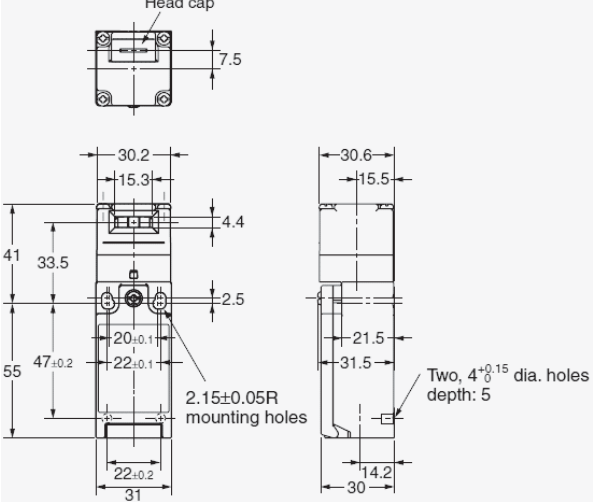
Product Discontinuation and recommended replacement

Product discontinuation	Recommended replacement	Product discontinuation	Recommended replacement
D4BS-16FS	D4NS-1AF	D4BS-65FS	D4NS-2AF
D4BS-1BFS	D4NS-1BF	D4BS-66FS	D4NS-2AF
D4BS-26FS	D4NS-2AF	D4BS-6AFS	D4NS-2BF
D4BS-2BFS	D4NS-2BF	D4BS-6BFS	D4NS-2BF
D4BS-35FS	D4NS-4AF	D4BS-75FS	D4NS-4AF
D4BS-36FS	D4NS-4AF	D4BS-76FS	D4NS-4AF
D4BS-3AFS	D4NS-4BF	D4BS-7AFS	D4NS-4BF
D4BS-3BFS	D4NS-4BF	D4BS-7BFS	D4NS-4BF
D4BS-46FS	D4NS-4AF	D4BS-85FS	D4NS-4AF
D4BS-4BFS	D4NS-4BF	D4BS-86FS	D4NS-4AF
D4BS-55FS	D4NS-1AF	D4BS-8AFS	D4NS-4BF
D4BS-56FS	D4NS-1AF	D4BS-8BFS	D4NS-4BF
D4BS-5AFS	D4NS-1BF		
D4BS-5BFS	D4NS-1BF		

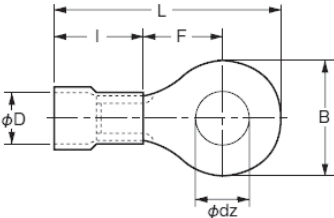
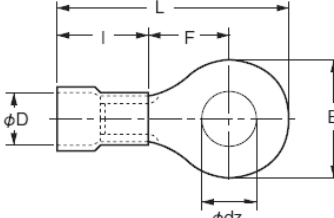
Body color

Product discontinuation Model D4BS series	Recommendable replacement Model D4NS series
	

Dimension

Product discontinuation Model D4BS series	Recommendable replacement Model D4NS series
<p data-bbox="244 389 582 450">D4BS-1□FS / D4BS-2□FS / D4BS-3□FS / D4BS-4□FS</p>  <p data-bbox="244 853 582 913">D4BS-5□FS / D4BS-6□FS / D4BS-7□FS / D4BS-8□FS</p> 	<p data-bbox="898 389 1348 418">D4NS-1□F / D4NS-2□F / D4NS-4□F</p> 

Wiring

Product discontinuation Model D4BS series	Recommendable replacement Model D4NS series
<p data-bbox="188 1536 481 1565">Proper lead wire size</p> <p data-bbox="244 1570 671 1599">AWG20 to AWG14 (0.5 to 2.5mm²)</p> <p data-bbox="188 1666 675 1695">Recommended crimp terminal size</p>  <p data-bbox="244 1800 363 1921">φdz : 3.7mm φD : 4.5mm B : 7.0mm L : 20.2mm F : 7.7mm l : 9.0mm</p>	<p data-bbox="898 1570 1342 1599">AWG20 to AWG18 (0.5 to 0.75mm²)</p>  <p data-bbox="906 1700 1018 1843">t : 0.5mm φdz : 3.7mm φD : 2.9mm B : 6.6mm L : 19mm F : 7.7mm l : 8.0mm</p>

Characteristics

Product discontinuation Model D4BS series	Recommendable replacement Model D4NS series																																																																														
<p>Electrical Durability 500,000 operations min. (10A resistive load at 250VAC)</p> <p>TÜV Certified Ratings</p> <table border="1"> <tr> <td>Utilization category</td> <td>AC-15</td> </tr> <tr> <td>Rated operating current (Ie)</td> <td>2A</td> </tr> <tr> <td>Rated operating voltage (Ue)</td> <td>400V</td> </tr> </table> <p>UL/CSA Certified Ratings A600</p> <table border="1"> <thead> <tr> <th rowspan="2">Rated Voltage</th> <th rowspan="2">Carry current</th> <th colspan="2">Current (A)</th> <th colspan="2">Volt-amperes (VA)</th> </tr> <tr> <th>Make</th> <th>Break</th> <th>Make</th> <th>Break</th> </tr> </thead> <tbody> <tr> <td>120VAC</td> <td rowspan="4">10A</td> <td>60</td> <td>6</td> <td rowspan="4">7,200</td> <td rowspan="4">720</td> </tr> <tr> <td>240VAC</td> <td>30</td> <td>3</td> </tr> <tr> <td>480VAC</td> <td>15</td> <td>1.5</td> </tr> <tr> <td>600VAC</td> <td>12</td> <td>1.2</td> </tr> </tbody> </table> <p>Ambient operating temperature -40 to 80°C</p>	Utilization category	AC-15	Rated operating current (Ie)	2A	Rated operating voltage (Ue)	400V	Rated Voltage	Carry current	Current (A)		Volt-amperes (VA)		Make	Break	Make	Break	120VAC	10A	60	6	7,200	720	240VAC	30	3	480VAC	15	1.5	600VAC	12	1.2	<p>500,000 operations min. (3A resistive load at 250VAC) 300,000 operations min. (10A resistive load at 250VAC)</p> <table border="1"> <tr> <td>Utilization category</td> <td>AC-15</td> <td>DC-13</td> </tr> <tr> <td>Rated operating current (Ie)</td> <td>3A</td> <td>0.27A</td> </tr> <tr> <td>Rated operating voltage (Ue)</td> <td>240V</td> <td>250V</td> </tr> </table> <p>A300</p> <table border="1"> <thead> <tr> <th rowspan="2">Rated Voltage</th> <th rowspan="2">Carry current</th> <th colspan="2">Current (A)</th> <th colspan="2">Volt-amperes (VA)</th> </tr> <tr> <th>Make</th> <th>Break</th> <th>Make</th> <th>Break</th> </tr> </thead> <tbody> <tr> <td>120VAC</td> <td rowspan="2">10A</td> <td>60</td> <td>6</td> <td rowspan="2">7,200</td> <td rowspan="2">720</td> </tr> <tr> <td>240VAC</td> <td>30</td> <td>3</td> </tr> </tbody> </table> <p>Q300</p> <table border="1"> <thead> <tr> <th rowspan="2">Rated Voltage</th> <th rowspan="2">Carry current</th> <th colspan="2">Current (A)</th> <th colspan="2">Volt-amperes (VA)</th> </tr> <tr> <th>Make</th> <th>Break</th> <th>Make</th> <th>Break</th> </tr> </thead> <tbody> <tr> <td>125VDC</td> <td rowspan="2">2.5A</td> <td>0.55</td> <td>0.55</td> <td rowspan="2">69</td> <td rowspan="2">69</td> </tr> <tr> <td>250VDC</td> <td>0.27</td> <td>0.27</td> </tr> </tbody> </table> <p>Ambient operating temperature -30 to 70°C</p>	Utilization category	AC-15	DC-13	Rated operating current (Ie)	3A	0.27A	Rated operating voltage (Ue)	240V	250V	Rated Voltage	Carry current	Current (A)		Volt-amperes (VA)		Make	Break	Make	Break	120VAC	10A	60	6	7,200	720	240VAC	30	3	Rated Voltage	Carry current	Current (A)		Volt-amperes (VA)		Make	Break	Make	Break	125VDC	2.5A	0.55	0.55	69	69	250VDC	0.27	0.27
Utilization category	AC-15																																																																														
Rated operating current (Ie)	2A																																																																														
Rated operating voltage (Ue)	400V																																																																														
Rated Voltage	Carry current	Current (A)		Volt-amperes (VA)																																																																											
		Make	Break	Make	Break																																																																										
120VAC	10A	60	6	7,200	720																																																																										
240VAC		30	3																																																																												
480VAC		15	1.5																																																																												
600VAC		12	1.2																																																																												
Utilization category	AC-15	DC-13																																																																													
Rated operating current (Ie)	3A	0.27A																																																																													
Rated operating voltage (Ue)	240V	250V																																																																													
Rated Voltage	Carry current	Current (A)		Volt-amperes (VA)																																																																											
		Make	Break	Make	Break																																																																										
120VAC	10A	60	6	7,200	720																																																																										
240VAC		30	3																																																																												
Rated Voltage	Carry current	Current (A)		Volt-amperes (VA)																																																																											
		Make	Break	Make	Break																																																																										
125VDC	2.5A	0.55	0.55	69	69																																																																										
250VDC		0.27	0.27																																																																												

Operation ratings

Product discontinuation Model D4BS series	Recommendable replacement Model D4NS series
<p>Key insertion force: 19.61N max. Key extraction force: 19.61N max. Pre travel (PT): 10±5mm Total travel (TT): 23mm min. Direct opening force: 19.61N min. Direct opening stroke: 20mm min.</p>	<p>Key insertion force: 15N max. Key extraction force: 30N max. Pre travel (PT): 6±3mm Total travel (TT): (28mm) Direct opening force: 60N min. Direct opening stroke: 10mm min.</p>