

Product Discontinuation Notices

August 1, 2011

Photoelectric Sensors

No. 2011E029

Discontinuation Notice of Transparent bottle sensor E3R series (for China area only)

Product Discontinuation

Transparent bottle sensor



E3R series

Recommended Replacement



E3Z-T/D/R

Discontinuation date : The end of March, 2012

Caution on recommended replacement

- There are changes in the mounting dimensions and external dimension.
- Residual voltage will change from 1.2V to 2V.
- The output will change from voltage output type to open collector output type.
- The reflector (E39-R1) does not come with the recommended replacement. The customer are requested to place on order for that separately
- Indicator will change from Light indicator (red) to Operation indicator(orange).

Difference from discontinued product

Model	Body Color	Dimensions	Wire connection	Mounting Dimensions	Characteristics	Operation ratings	Operation methods
E3Z-T61	*	--	*	--	*	*	--
E3Z-D62	*	--	*	--	*	*	--
E3Z-R61	*	--	*	--	*	*	--

** : Fully compatible

* : The change is a little/Almost compatible

-- : Not compatible

- : No corresponding specification

Product Discontinuation and recommended replacement

Product discontinuation	Recommended replacement
Model	Model
E3R-5DE4 2M	E3Z-T61-D 2M
E3R-5E4 2M	E3Z-T61 2M
E3R-5E4 5M	E3Z-T61 5M
E3R-5L 2M	E3Z-T61-L 2M
E3R-DS30E4 2M	E3Z-D62 2M
E3R-R2E4 2M	E3Z-R61 2M

Body color

Product discontinuation	Recommendable replacement
E3R series	E3Z-T/D/R series
Black	Black

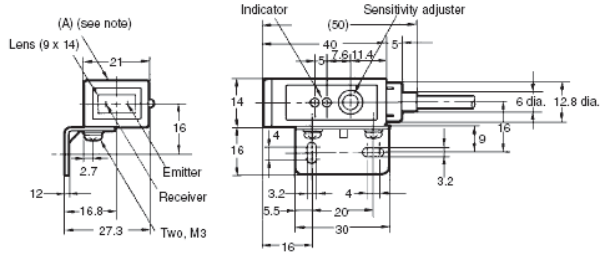
Dimensions

Product discontinuation	Recommendable replacement
E3R series	E3Z-T/D/R
<p>E3R-5□□</p> <p>Note: 1. A mounting bracket can be attached to side A. 2. Receiver only.</p>	<p>E3Z-T61</p> <p>4 dia. vinyl-insulated round cable with 2 conductors (Conductor cross section: 0.2 mm² (AWG24), Insulator diameter: 1.1 mm, Standard length: 2 m)</p> <p>4 dia. vinyl-insulated round cable with 3 conductors (Conductor cross section: 0.2 mm² (AWG24), Insulator diameter: 1.1 mm, Standard length: 2 m)</p>

Dimensions

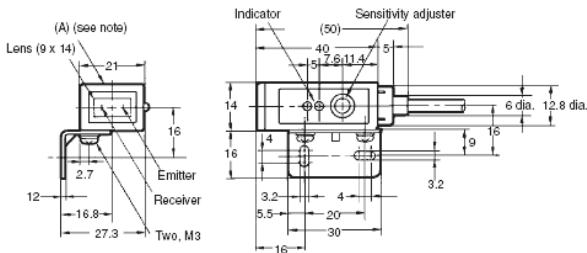
Product discontinuation E3R series

E3R-DS30E4



Note: A mounting bracket can be attached to side A.

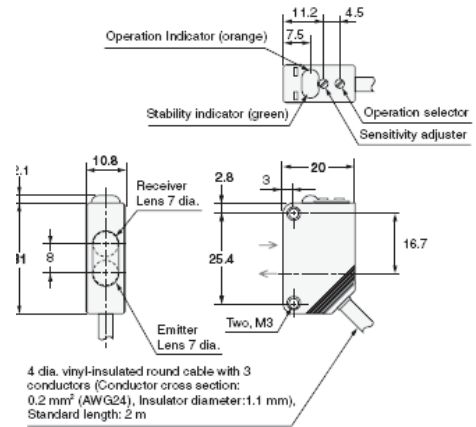
E3R-R2E4



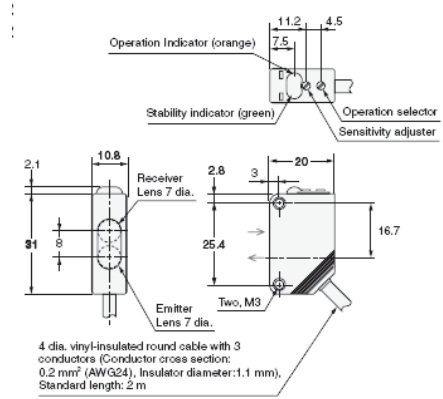
Note: A mounting bracket can be attached to side A.

Recommendable replacement E3Z-T/D/R

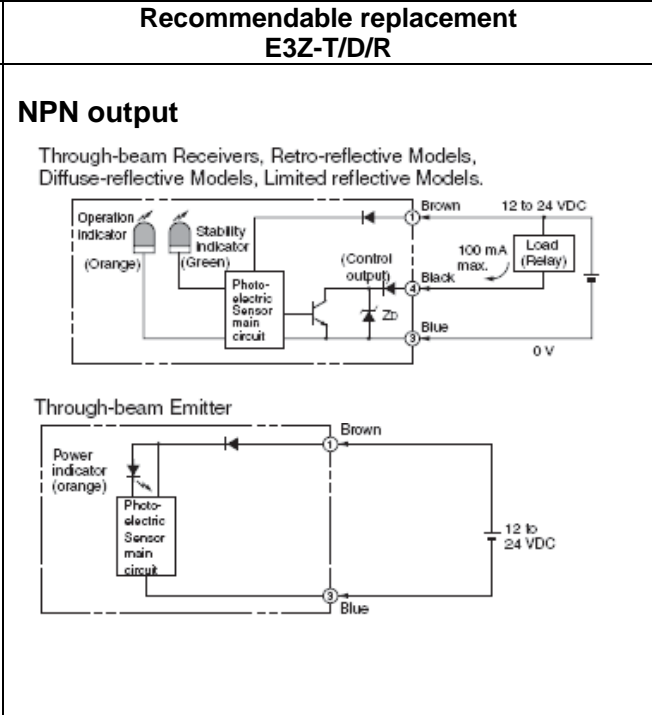
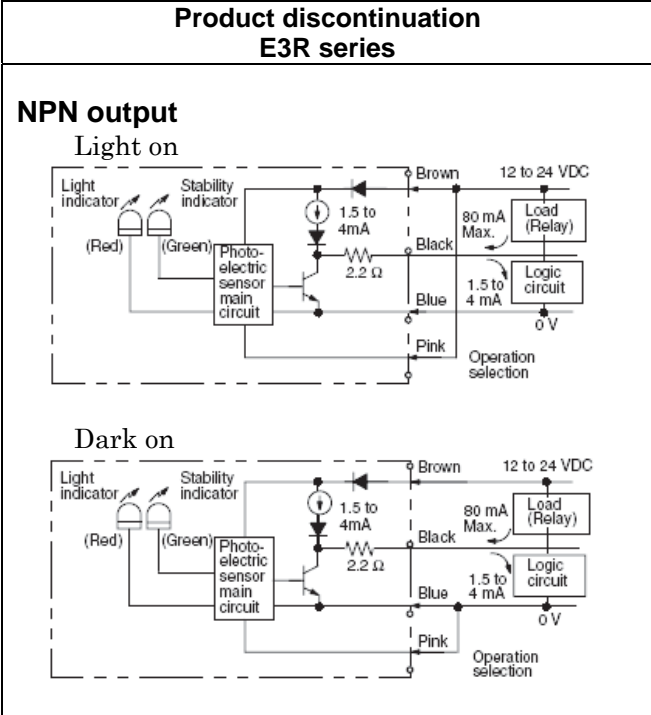
E3Z-D62



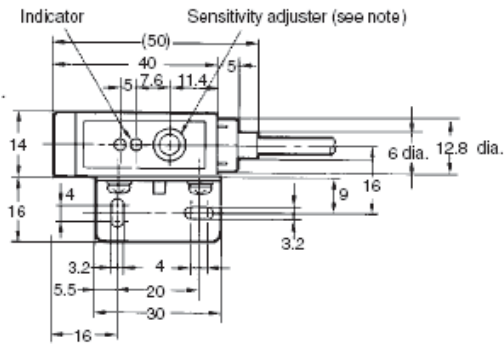
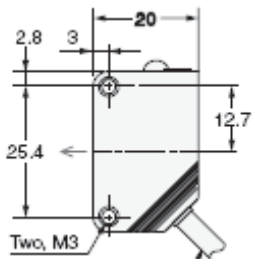
E3Z-R61



Wire Connection



Mounting dimensions

Product discontinuation E3R series	Recommendable replacement E3Z-T/D/R
 <p>Note: Receiver only.</p>	

Characteristics

Item	Mode	Product discontinuation E3R series	Recommended replacement E3Z-T/D/R
Sensing distance		E3R-5[]:5m E3R-DS30E4: 30cm (20×20cm white mat paper) E3R-R2E4:0.1 to 2m (When using E39-R1)	E3Z-T61:15m E3Z-D62:1m (with paper 300×300mm) E3Z-R61: 3m (100mm) (When using E39-R1)
Power supply voltage		12~24VDC±10%; ripple (p-p)10% max	DC12~24V±10% ripple (p-p)10% max
Current consumption		E3R-5[]:50mA max E3R-R2E4/ DS30E4:40mA max	E3Z-T61:35mA max. (Emitter:15mA max., Receiver:20mA max) E3Z-D62/R61: 30mA max
Enclosure rating		IEC IP66	IEC,IP67

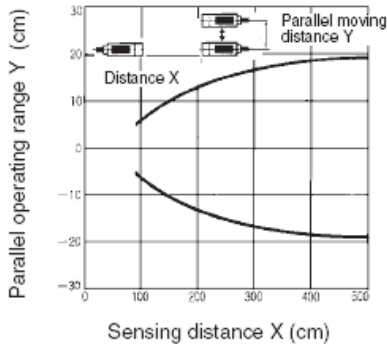
Operation ratings

**Product discontinuation
E3R series**

E3R-5[]

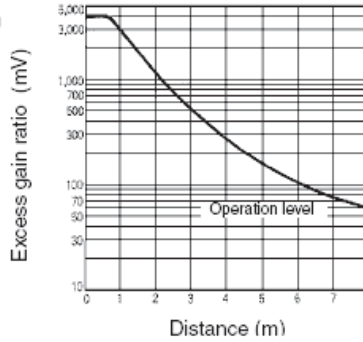
**Parallel Operating Range
(Typical)**

E3R-5E4



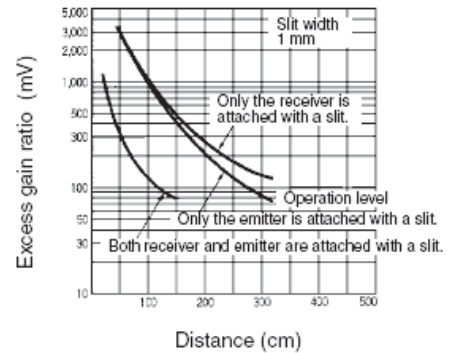
**Excess Gain vs. Set Distance
(Typical)**

E3R-5E4



**Slit Characteristics (Excess Gain
vs. Distance) (Typical)**

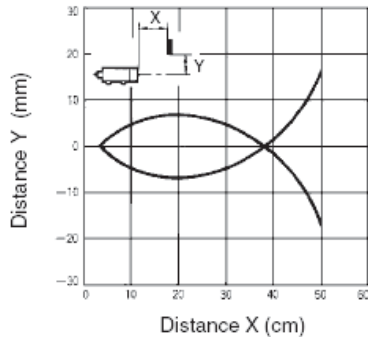
E3R-5E4



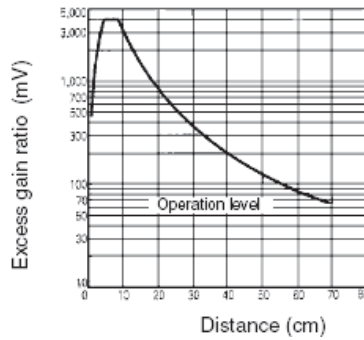
E3R-DS30E4

Operating Range (Typical)

E3R-DS30E4



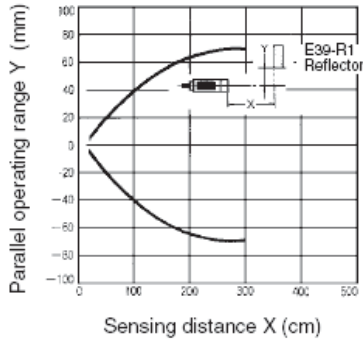
E3R-DS30E4



E3R-R2E4

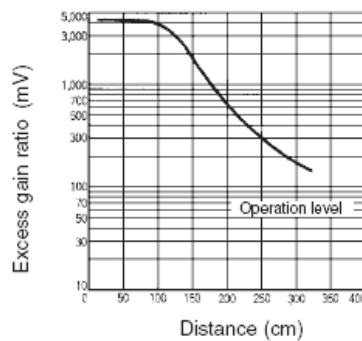
**Parallel Operating Range
(Typical)**

E3R-R2E4



**Excess Gain vs. Set Distance
(Typical)**

E3R-R2E4



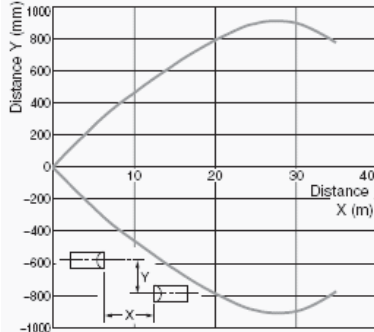
Operation ratings

Recommended replacement E3Z-T/D/R

E3Z-T61

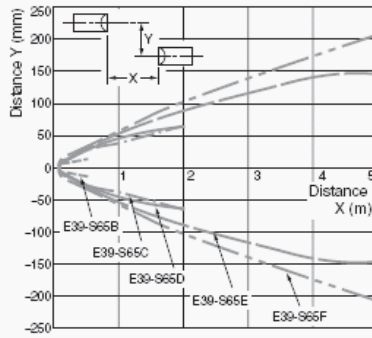
Through-beam Models

E3Z-T□1(T□6)



Through-beam Models

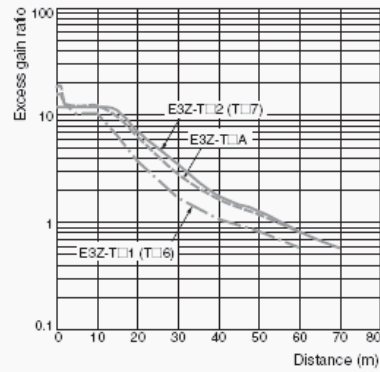
E3Z-T□1(T□6) and Slit
(A Slit is mounted to the Emitter and Receiver.)



Excess Gain vs. Set Distance

Through-beam Models

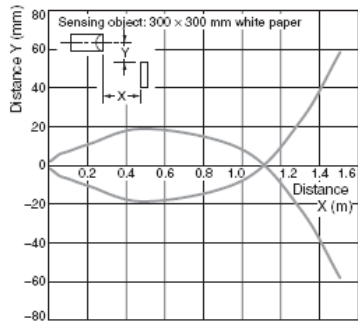
E3Z-T□1(T□6)/-T□A/-T□2(T□7)



E3Z-D62

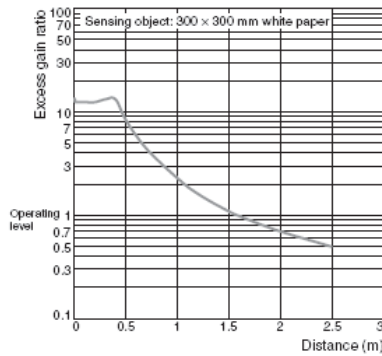
Diffuse-reflective Models

E3Z-D□2(D□7)



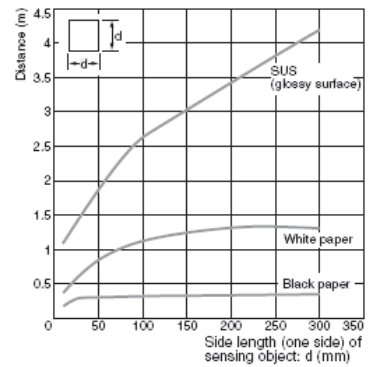
Diffuse-reflective Models

E3Z-D□2(D□7)



Diffuse-reflective Models

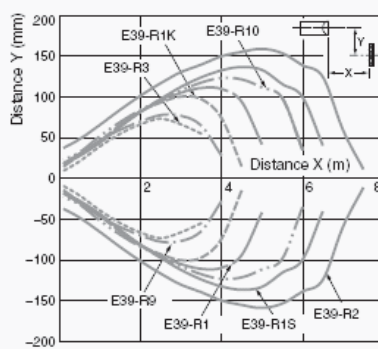
E3Z-D□2(D□7)



E3Z-R61

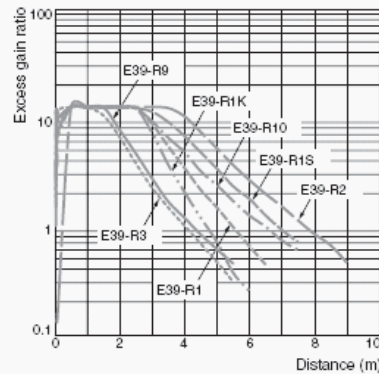
Retro-reflective Models

E3Z-R□1(R□6) and Reflector



Retro-reflective Models

E3Z-R□1(R□6) and Reflector



Mounting dimensions

Product discontinuation E3R series	Recommendable replacement E3Z-T/D/R
Sensitivity adjustment: one-turn adjust	Sensitivity adjustment: one-turn adjust