

**Product Discontinuation
Notices**

December 1, 2009

Photomicro Sensors

No. 2009305E

**Discontinuation Notice of Broad Slot-type Photomicro sensor
EE-SPX303 and EE-SPX403 series****Product Discontinuation**

Broad Slot-type Photomicro sensor

Recommended Replacement

Broad Slot-type Photomicro sensor

**EE-SPX303
EE-SPX403
EE-SPX303-1****EE-SPX303N
EE-SPX403N
EE-SPX303N****Discontinuation date : The end of March, 2010****Caution on recommended replacement**

Residual voltage of Recommended Replacement sensors is higher than Product Discontinuation sensors since Recommended Replacement sensors are built in reserve polarity protection circuit.
And only the EE-SPX303-1 can be operated 5V supply voltage, but Recommended Replacement sensors can be operated 12V to 24V range.

Difference from discontinued product

Model	Body Color	Dimensions	Wire connection	Mounting Dimensions	Characteristics	Operation ratings	Operation methods
EE-SPX303N	*	**	**	**	*	**	-
EE-SPX403N	*	**	**	**	*	**	-

** : Fully compatible

* : The change is a little/Almost compatible



-- : Not compatible

- : No corresponding specification

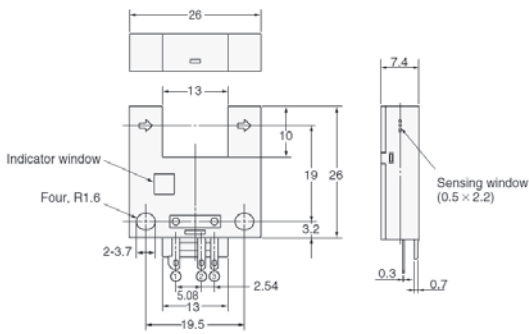
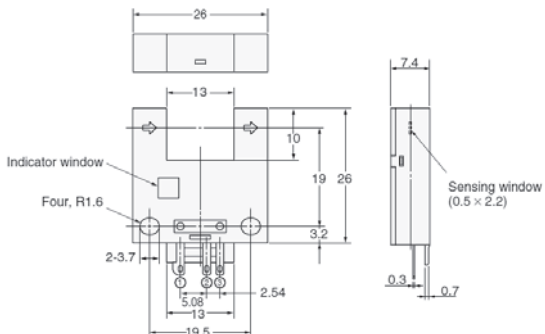
Product Discontinuation and recommended replacement

Product discontinuation		Recommended replacement	
Model	Product code	Model	Product code
EE-SPX303	EESP3035F	EE-SPX303N	EESP3155G
EE-SPX403	EESP3056R	EE-SPX403N	EESP3156E
EE-SPX303-1	EESP3122M	EE-SPX303N	EESP3155G

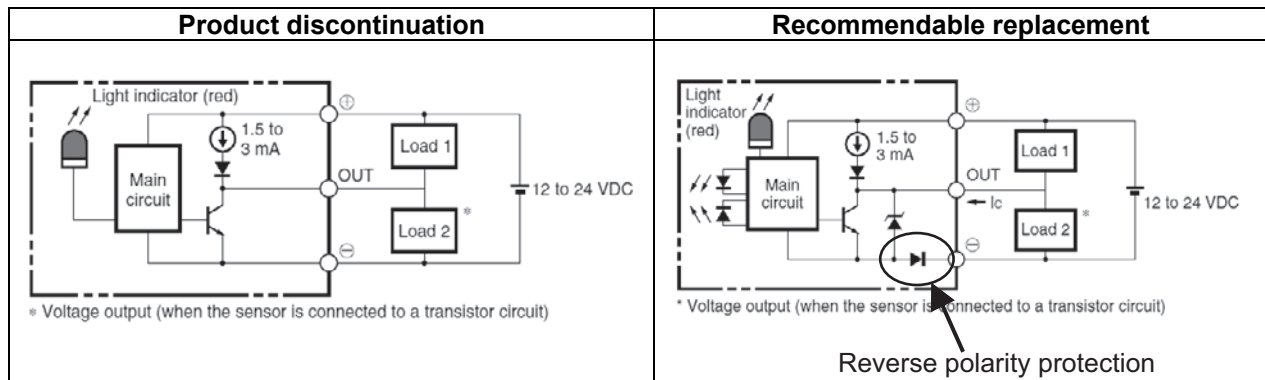
Body color

Product discontinuation	Recommendable replacement
	<p>Type Nr. Initial (EE-SPX), Country of origin and Brand name (OMRON) are changed to molded on case surface, from printed on case surface.</p> 

Outline Dimensions and Mounting Dimensions

Product discontinuation	Recommendable replacement
	

Wire connection and Inner circuit



Accessories

Product discontinuation			Recommendable replacement
Type	Cable length	Model	Equivalent
Connector			
Connector with Cable	1m	EE-1001	
		EE-1009	
Connector with Cable	2m	EE-1006	
		EE-1010	
Connector with robot Cable	1m	EE-1010-R	
		EE-1010-R	
Connector with robot Cable	2m	EE-1010-R	
		EE-1010-R	
NPN/PNP Conversion Connector	0.46m (total length)	EE-2002	

Operation ratings

Product discontinuation	Recommendable replacement
<p>Sensing Position Characteristics (Typical) EE-SPX303</p>	<p>Equivalent</p> <p>(At operating the EE-SPX403 or the EE-SPX403N, Tr ON and Tr OFF are reversed only.)</p>

Characteristics

	Product discontinuation	Recommendable replacement
Sensing distance	13mm (Slot width)	Equivalent
Sensing object	Opaque: 2.2mm × 0.5mm min.	Equivalent
Differential distance	0.05mm max.	Equivalent
Light source (Peak wave length)	Infrared LED (Pulse lighting) with a peak wavelength of 940nm	Equivalent
Indicator	Light indicator	Equivalent
Supply voltage	12 to 24VDC±10% ripple (p-p): 5% max.	Equivalent
Current consumption	15mA max.	Equivalent
Control output	NPN voltage output Load power supply voltage: 12 to 24 VDC Load current: 80mA max. OFF current: 0.5mA max. 80mA load current with a residual voltage of 1.0V max. 10mA load current with a residual voltage of 0.4V max.	NPN voltage output Load power supply voltage: 12 to 24 VDC Load current: 80mA max. OFF current: 0.5mA max. 80mA load current with a residual voltage of 2.0V max. 10mA load current with a residual voltage of 1.0V max.
Protection circuit	Non protection circuit	Power supply reverse polarity protection, Output reverse polarity protection
Response frequency	100Hz min.	Equivalent
Ambient illumination	3,000 lx max. with incandescent light or sunlight on the surface of the receiver	Equivalent
Ambient temperature range	Operating : -10 to +55 degrees Storage : -25 to +65 degrees	Equivalent
Ambient humidity range	Operating : 5% to 85%RH Storage : 5% to 95%RH	Equivalent
Vibration resistance	Destruction 10 to 55Hz, 1.5mm double amplitude for 2 h each in X,Y, and Z directions	Equivalent
Shock resistance	Destruction 500m/s ² X,Y, and Z directions	Equivalent
Degree protection	IEC IP50	Equivalent
Connecting method	Special connector (Soldering not possible)	Equivalent
Weight	Approx. 4g	Equivalent
Material	Polycarbonate	Equivalent