

## Product Discontinuation Notices

Measuring / Motor Protective Relays

Issue Date  
December 2, 2013

No. 2013E017C

### Discontinuation Notice of Single-phase Voltage Relay K8AB-VS[].

#### Product Discontinuation

Single-phase Voltage Relay



**Model K8AB-VS[]**



#### Recommended Replacement

Single-phase Voltage Relay

**Model K8AK-VS[]**

#### [ Discontinuation date ]

The end of March, 2015

#### [ Caution on recommended replacement ]

There are some changes in rating and specifications.

Please read the catalog carefully for your understanding before using the product.

#### [ Difference from discontinued product ]

Recommended replacement Model	Body Color	Dimen-sions	Wire connection	Mounting Dimensions	Charact-eristics	Operation ratings	Operation methods
K8AK-VS[]	--	**	**	*	*	*	**

\*\* : Compatible

\* : The change is a little/Almost compatible



-- : Not compatible

- : No corresponding specification

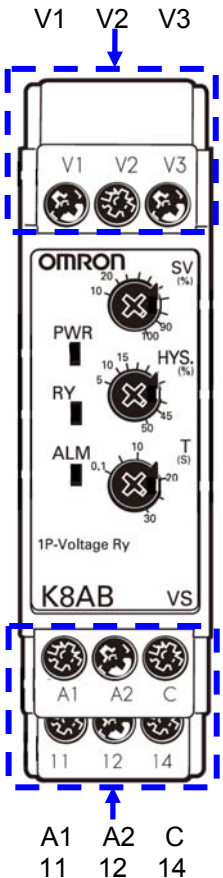
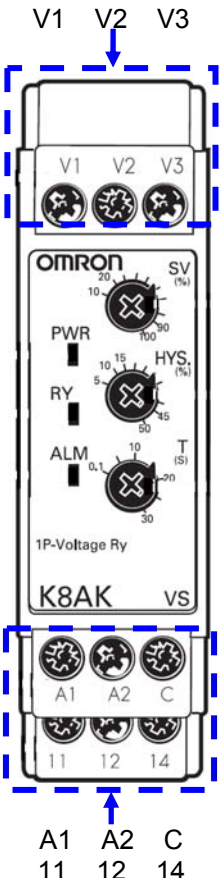
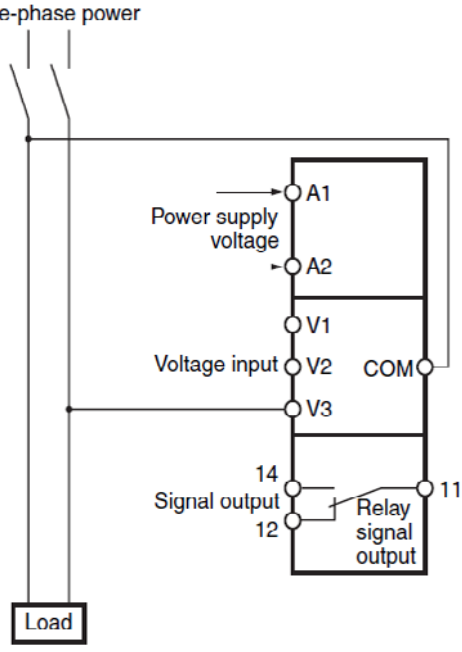
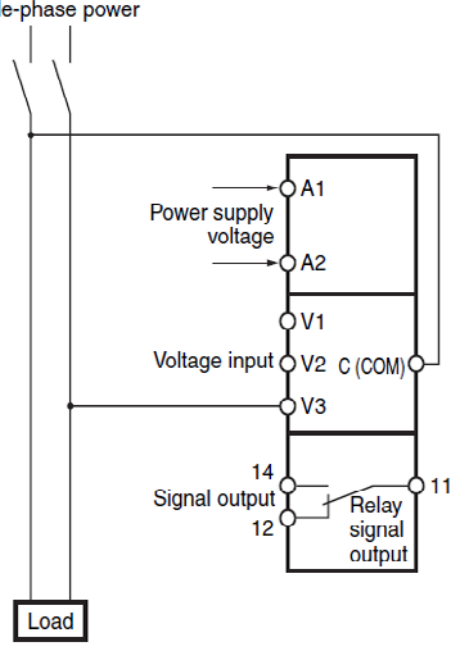
#### [ Product Discontinuation and recommended replacement ]

Product discontinuation	Recommended replacement
K8AB-VS1 24VAC/DC	None
K8AB-VS1 100/115VAC	None
K8AB-VS1 200/230VAC	None
K8AB-VS2 24VAC/DC	K8AK-VS2 24VAC/DC
K8AB-VS2 100/115VAC	K8AK-VS2 100-240VAC
K8AB-VS2 200/230VAC	
K8AB-VS3 24VAC/DC	K8AK-VS3 24VAC/DC
K8AB-VS3 100/115VAC	K8AK-VS3 100-240VAC
K8AB-VS3 200/230VAC	

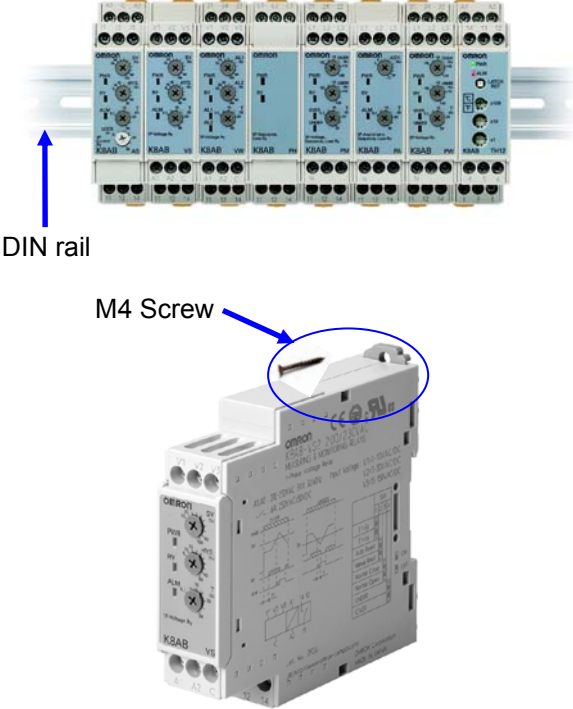

[ Body color ]

Product discontinuation	Recommendable replacement
<p style="text-align: center;"><b>Model K8AB-VS[]</b></p>	<p style="text-align: center;"><b>Model K8AK-VS[]</b></p>
<p><b>Body color</b> Munsell 5Y8/1</p> 	<p><b>Body color</b> Munsell N1.5</p> 

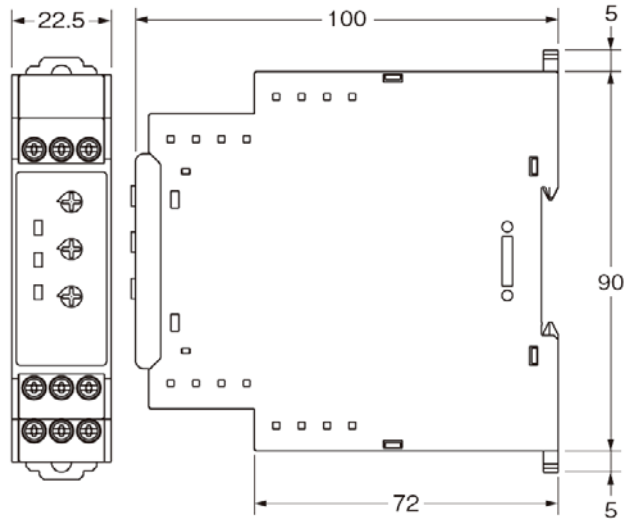
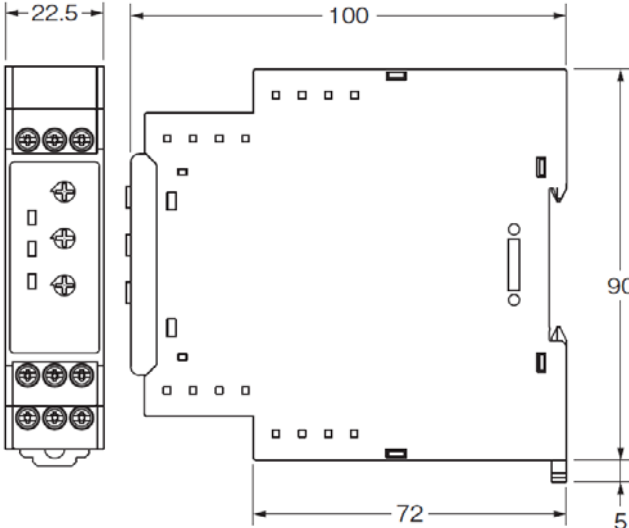
[ Wire connection ]

Product discontinuation	Recommendable replacement
Model K8AB-VS□	Model K8AK-VS□
<p><b>Terminal layout</b> Terminal layout diagram</p> 	<p><b>Terminal layout</b> Terminal layout diagram</p> 
<p><b>Wiring connections</b> Single-phase power</p> 	<p><b>Wiring connections</b> Single-phase power</p> 

[ Mounting dimensions ]

Product discontinuation Model K8AB-VS[]	Recommendable replacement Model K8AK-VS[]
<p><b>Installation method</b> DIN rail or M4 screw</p>  <p>DIN rail</p> <p>M4 Screw</p>	<p><b>Installation method</b> DIN rail Screw cannot be used.</p>  <p>DIN rail</p>

[ Dimensions ]

Product discontinuation Model K8AB-VS[]	Recommendable replacement Model K8AK-VS[]
<p><b>Dimensions</b></p>  <p>22.5</p> <p>100</p> <p>72</p> <p>90</p> <p>5</p>	<p><b>Dimensions</b></p>  <p>22.5</p> <p>100</p> <p>72</p> <p>90</p> <p>5</p>

[ Characteristics ]

Item	Product discontinuation		Recommendable replacement		
	Model K8AB-VS[]		Model K8AK-VS[]		
Operating value setting range (SV)	<b>Model</b>	<b>Range</b>	<b>Model</b>	<b>Range</b>	
	K8AB-VS1	AC/DC 6 to 60 mV	-	-	-
		AC/DC 10 to 100 mV			-
		AC/DC 30 to 300 mV			-
	K8AB-VS2	AC/DC 1 to 10V	K8AK-VS2	AC/DC 1 to 10 V	
		AC/DC 3 to 30V		AC/DC 3 to 30 V	
		AC/DC 15 to 150 V		AC/DC 15 to 150 V	
	K8AB-VS3	AC/DC 20 to 200 V	K8AK-VS3	AC/DC 20 to 200 V	
		AC/DC 30 to 300 V		AC/DC 30 to 300 V	
		AC/DC 60 to 600 V		AC/DC 60 to 600 V	
Power supply voltage	24VAC/DC 100 to 115 VAC 200 to 230 VAC		24VAC/DC 100 to 240 VAC		
Power consumption	24 VDC: 1 W max. 24 VAC: 4 VA max. 100 to 115 VAC: 4VA max. 200 to 230 VAC: 5VA max.		24 VAC/DC: 2.0 VA/ 1.1 W max. 100 to 240 VAC: 4.6 VA max.		
Output relay ratings	Rated load Resistive load 6 A at 250 VAC 6 A at 30 VDC Maximum contact voltage: 250 VAC Maximum contact current: 6 A AC Maximum switching capacity: 1,500 VA Minimum load: 10 mA at 5 VDC Mechanical life: 10 million operations min. Electrical life: Make: 50,000 times, Break: 30,000 times		Rated load Resistive load 5 A to 250 VAC 5 A to 30 VDC Maximum contact voltage: 250 VAC or 30 VDC Maximum contact current: 5 A AC Maximum switching capacity: 1,250 VA, 150 W Mechanical life: 10 million operations min. Electrical life: 5 A at 250 VAC or 30 VDC: 50,000 operations 3 A at 250 VAC or 30 VDC: 100,000 operations		
Storage temperature	-40 to 70°C (with no condensation or icing)		-25 to 65°C (with no condensation or icing)		
Case material	PBT/ABS resin (self-extinguishing resin) UL94-V0		PC and ABS		
Weight	Approx. 130 g		Approx. 150 g		
Repeat accuracy	Operating value: ±2% Operating time repeat error: ±50 ms		Operating value: ±0.5% full scale (at 25°C and 65% humidity, rated power supply voltage, 50/60 Hz sine wave input) Operating time: ±50 ms (at 25°C and 65% humidity, at the rated power supply voltage)		
Approved standards	EN60255-5, EN60255-6 Installation environment (Pollution degree 2, overvoltage category III)		EN60947-5-1 Installation environment (Pollution degree 2, overvoltage category III)		
EMC	EN61326		EN60947-5-1		
Safety standards	UL508		UL 508 (Recognition), Korean Radio Waves Act (Act 10564), CSA: CAN/CSA C22.2 No.14, CCC: GB14048.5		
Shock resistance	100 m/s <sup>2</sup> , 3 times in 6 directions along 3 axes		150 m/s <sup>2</sup> , 3 times each in 6 directions along 3 axes However, 100m/s for relay contacts.		

**[ Operation methods ]**

Product discontinuation	Recommendable replacement
Model K8AB-VS□	Model K8AK-VS□
<div data-bbox="181 315 1401 360" style="border: 1px solid black; padding: 5px; margin: 0 auto; width: 80%;"> <p>There is no change in operation method and LED display color.</p> </div>	

Specifications and prices in this product news are as of the issue date and are subject to change without notice. Only main changes in specifications are described in this document. Please be sure to read the relevant catalogs, datasheets, product specifications, instructions, and manuals for precautions and necessary information when using products.