

Product Discontinuation Notices

June 1, 2009

Displacement Sensors

No.2009188E

Discontinuation Notice of 2D Profile Measuring Sensor : ZG2

Product Discontinuation

2D Profile Measuring Sensor



- Sensor Head
Model ZG-WDS[] series
- Controller
Model ZG-WDC[] Series

2D Profile Measuring Sensor Optional parts

- Extension Cable
Model ZG-XC25CR
Model ZG-XC15CR
Model ZG-XC8CR
Model ZG-XC3CR
- Digital Equalizer
Model ZG-XEQ
- Connecting Cable
Model ZG-XC02D

Recommended Replacement

2D Profile Measuring Sensor

- Sensor Head
Model ZG2-WDS[] series
- Controller
Model ZG2-WDC[] Series

2D Profile Measuring Sensor Optional parts

- Extension Cable
Model ZG2-XC25CR
Model ZG2-XC15CR
Model ZG2-XC8CR
Model ZG2-XC3CR

*There is no recommended substitution for Model ZG-XEQ and ZG-XC02D.

Discontinuation date : The end of June, 2010

Caution on recommended replacement

It is not compatible between the ZG series and the ZG2 series, and switch the controller, the sensor head and the options (extension cable) by the set, please.
The ZG2 series don't need a digital equalizer (Model ZG-XEQ) and a connecting cable (Model ZG2-XC02D) which the ZG series need. Therefore, there is no recommended substitution for Model ZG-XEQ and ZG-XC02D.

Difference from discontinued product

Model	Body Color	Dimensions	Wire connection	Mounting Dimensions	Characteristics	Operation ratings	Operation methods
ZG2-WDS[]	**	*	*	** (note1)	*	**	-
ZG2-WDC[]	--	**	*	**	*	**	**
ZG2-XC[]CR	**	**	--	**	**	**	-

** : Fully compatible

* : The change is a little/Almost compatible

-- : Not compatible

- : No corresponding specification


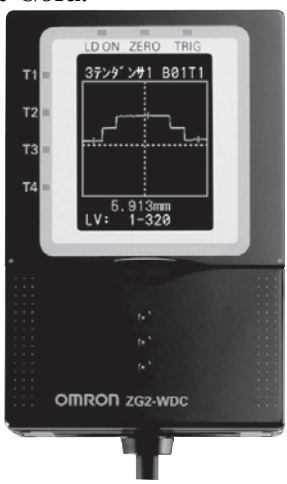
(note1) :An only relation between Model ZG-WDS3 and ZG2-WDS3V is not complete compatible (Small change/High equivalent).

Product Discontinuation and recommended replacement

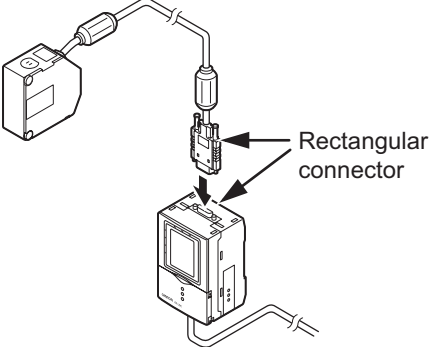
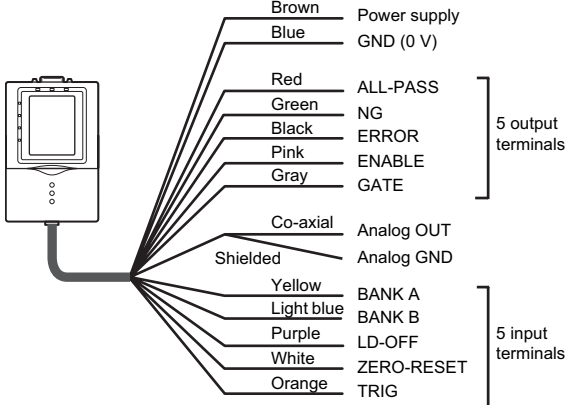
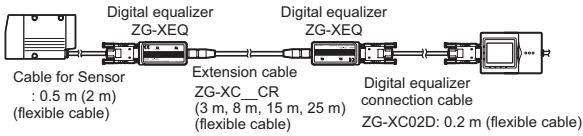
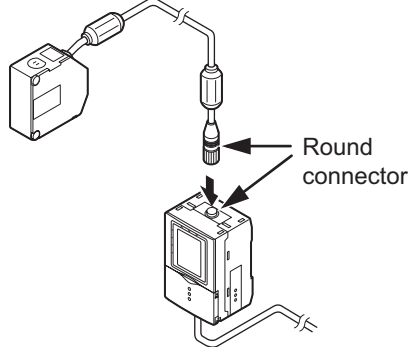
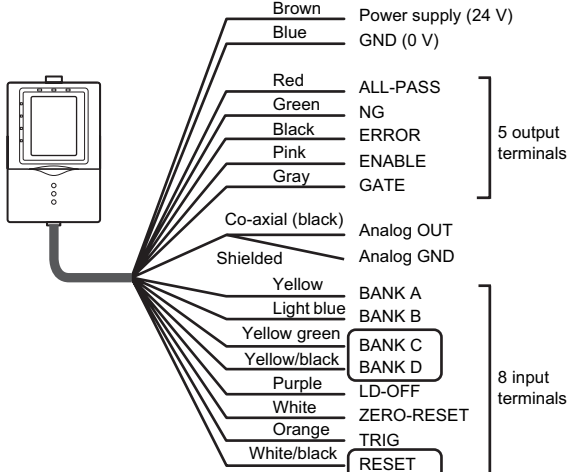
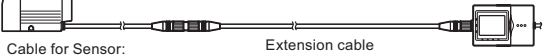
Product discontinuation	Recommended replacement
Model ZG-WDS70	Model ZG2-WDS70
Model ZG-WDS22	Model ZG2-WDS22
Model ZG-WDS8(T)	Model ZG2-WDS8(T)
Model ZG-WDS3(T)	Model ZG2-WDS3V(T)
Model ZG-WDC11(A)	Model ZG2-WDC11(A)
Model ZG-WDC41(A)	Model ZG2-WDC41(A)
Model ZG-XC25CR	Model ZG2-XC25CR
Model ZG-XC15CR	Model ZG2-XC15CR
Model ZG-XC8CR	Model ZG2-XC8CR
Model ZG-XC3CR	Model ZG2-XC3CR
Model ZG-XEQ	-
Model ZG-XC02D	-

Body color

*Only controller Model ZG-WDC[] have different appearances

Product discontinuation Model ZG-WDC11(A)/ZG-WDC41(A)	Recommendable replacement Model ZG2-WDC11(A)/ZG2-WDC41(A)
<p>The case painting color of housing is Pearl White.</p> 	<p>The case painting color of housing is Black & Gold.</p> 

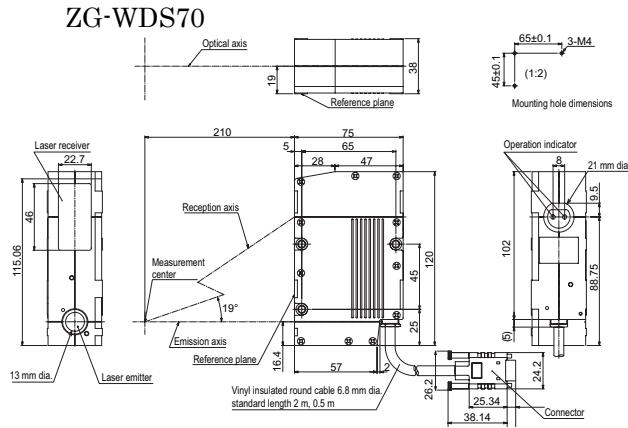
Wiring Connection

Product discontinuation Model ZG-WDC11(A)/ZG-WDC41(A)	Recommendable replacement Model ZG2-WDC11(A)/ZG2-WDC41(A)
<ul style="list-style-type: none"> The shape of connectors between sensor and controller are rectangle.  <ul style="list-style-type: none"> The number of I/O code lines is 14.  <ul style="list-style-type: none"> USB and RS-232C interface There is no change. Extension cable A digital equalizer (Model ZG-XEQ) and the connecting cable (Model ZG-XC02D) are necessary. <div style="border: 1px dashed black; padding: 5px;"> <p>Exclusive extension cables and digital equalizer (repeater) are available for extending the installation distance between the Sensor and the Controller.</p>  <p>Cable for Sensor : 0.5 m (2 m) (flexible cable) Extension cable ZG-XC_CR (3 m, 8 m, 15 m, 25 m) (flexible cable) Digital equalizer connection cable ZG-XC02D: 0.2 m (flexible cable)</p> </div>	<ul style="list-style-type: none"> The shape of connectors between sensor and controller are round.  <ul style="list-style-type: none"> The number of I/O code lines is 17.  <p>The following 3 input lines are added. · BANK C · BANK D · RESET The function and the line color of all other lines are completely compatible with MODEL ZG-WDC[] (A).</p> <ul style="list-style-type: none"> USB and RS-232C interface There is no change. Extension cable A digital equalizer (Model ZG-XEQ) and the connecting cable (Model ZG-XC02D) are unnecessary. <div style="border: 1px dashed black; padding: 5px;"> <p>Exclusive extension cables are available for extending the installation distance between the Sensor Head and the Controller.</p>  <p>Cable for Sensor: 0.5 m, 2 m (flexible cable) Extension cable ZG2-XC_CR: (3 m, 8 m, 15 m, 25 m) (flexible cable)</p> </div>

External Dimension/ Mounting Dimension

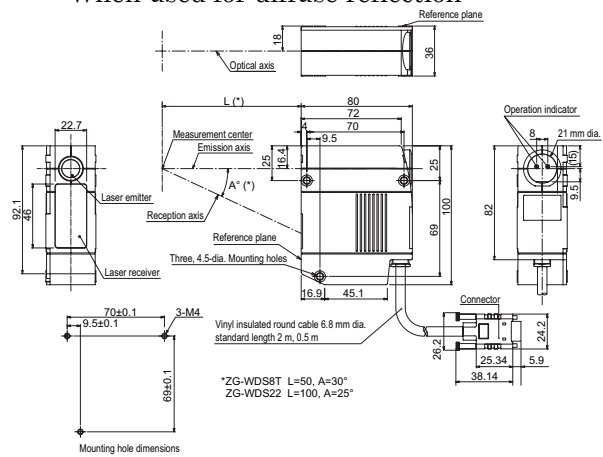
Product discontinuation Model ZG-WDS70/ZG-WDS22/ZG-WDS8(T)

- The connector shape is the only difference (rectangle).



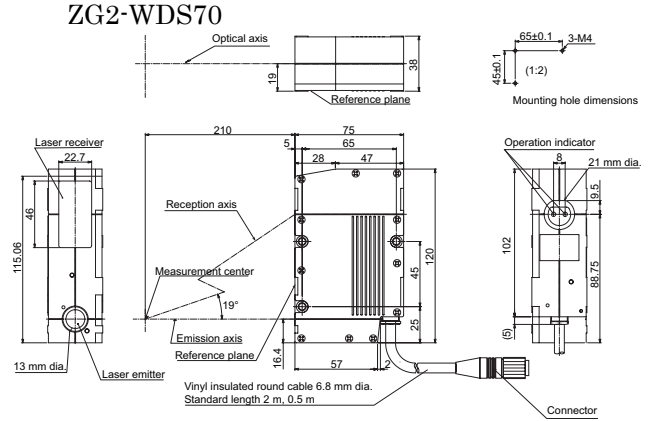
ZG-WDS8T/ -WDS22

- When used for diffuse reflection



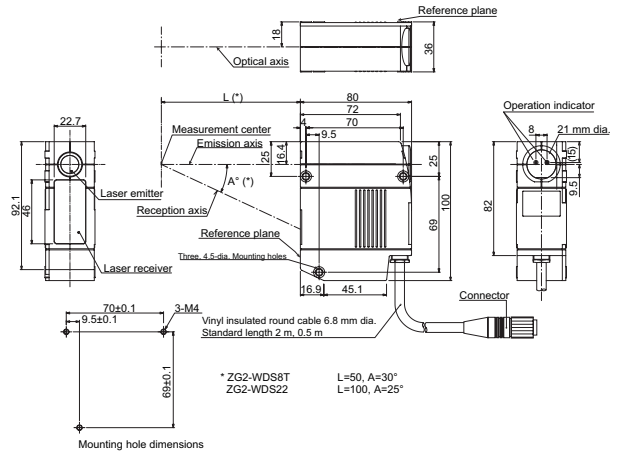
Recommendable replacement Model ZG2-WDS70/ZG2-WDS22/ZG2-WDS8(T)

- The connector shape is the only difference (round).



ZG2-WDS8T/ -WDS22

- When used for diffuse reflection



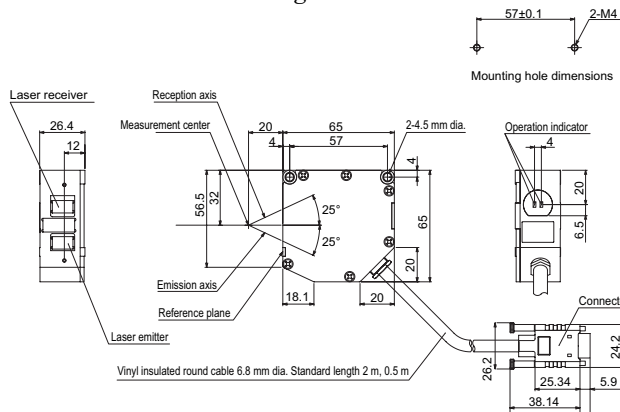
External Dimension/ Mounting Dimension

Product discontinuation Model ZG-WDS3(T)

- The connector shape is different (rectangle).
- External and mounting dimensions are different.

ZG-WDS3T

· When used for regular reflection

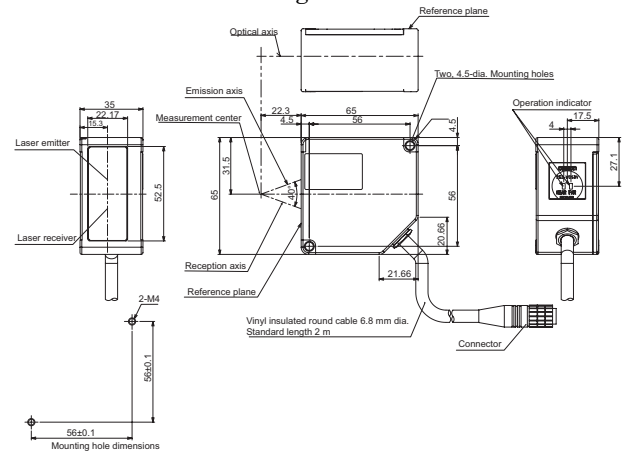


Recommendable replacement Model ZG2-WDS3V(T)

- The connector shape is different (round).
- External and mounting dimensions are different.

ZG2-WDS3VT

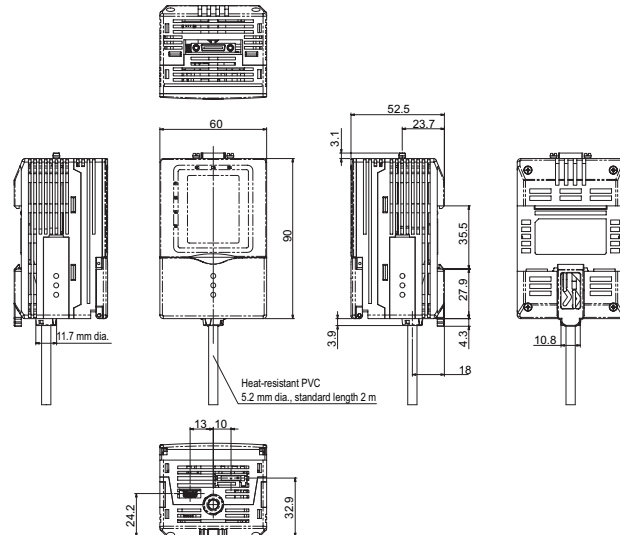
· When used for regular reflection



Product discontinuation Model ZG-WDC□(A)

- The connector shape is the only different (rectangle).

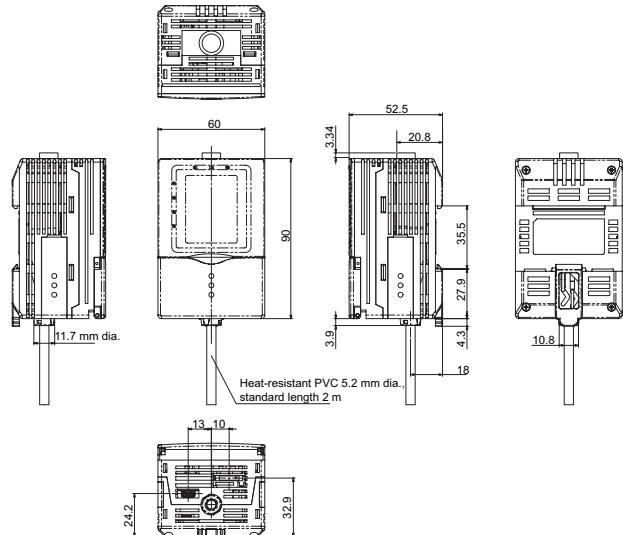
ZG-WDC11/-WDC41



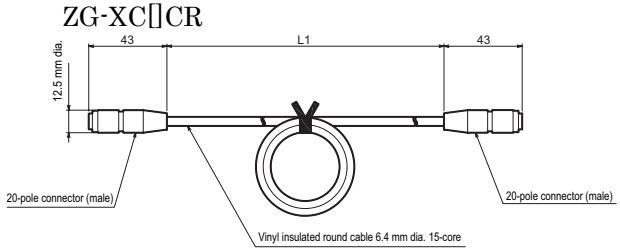
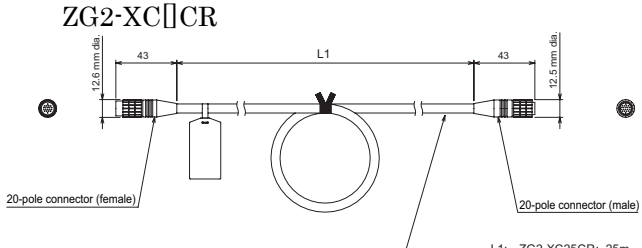
Recommendable replacement Model ZG2-WDC□(A)

- The connector shape is the only different (round).

ZG2-WDC11/-WDC41



External Dimension/ Mounting Dimension

Product discontinuation Model ZG-XC□CR	Recommendable replacement Model ZG2-XC□CR
<ul style="list-style-type: none"> The polarity of a connector is different though the external dimension is same (Both sides are male).  <p style="text-align: center;">ZG-XC□CR</p> <p style="text-align: center;">L1</p> <p style="text-align: center;">Vinyl insulated round cable 6.4 mm dia. 15-core</p> <p style="text-align: center;">L1: ZG-XC25CR: 25 m ZG-XC15CR: 15 m ZG-XC8CR: 8 m ZG-XC3CR: 3 m</p>	<ul style="list-style-type: none"> The polarity of a connector is different though the external dimension is same (One side is a male. The other is a females).  <p style="text-align: center;">ZG2-XC□CR</p> <p style="text-align: center;">L1</p> <p style="text-align: center;">Vinyl insulated round cable 6.4 mm dia. 15-core</p> <p style="text-align: center;">L1: ZG2-XC25CR: 25m ZG2-XC15CR: 15m ZG2-XC8CR: 8m ZG2-XC3CR: 3m</p>

Ratings performance and characteristic

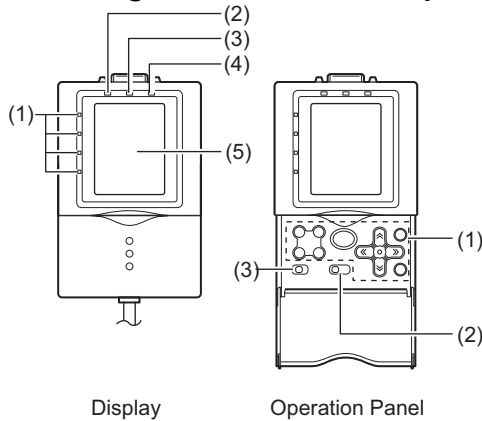
Product discontinuation Model ZG-WDS70	Recommendable replacement Model ZG2-WDS70
Measurement range (Height direction) : ±30mm Resolution (Height direction) : 10μm Linearity : ±0.5%FS Temperature characteristics : 0.1%FS/°C Ambient operating illumination : 1000lx max.	Measurement range (Height direction) : ±48mm(High-resolution mode) Resolution (Height direction) : 6μm Linearity : ±0.1%FS Temperature characteristics : 0.02%FS/°C Ambient operating illumination : 7000lx max.
Product discontinuation Model ZG-WDS22	Recommendable replacement Model ZG2- WDS22
Resolution (Height direction) : 3μm Linearity : ±0.5%FS Temperature characteristics : 0.1%FS/°C Ambient operating illumination : 1000lx max. Measurement target : Non-transparent object surface	Resolution (Height direction) : 2.5μm Linearity : ±0.1%FS Temperature characteristics : 0.02%FS/°C Ambient operating illumination : 7000lx max. Measurement target : Non-transparent object/Transparent surface
Product discontinuation Model ZG-WDS8(T)	Recommendable replacement Model ZG2-WDS8(T)
Linearity : ±0.5%FS Temperature characteristics : 0.1%FS/°C Ambient operating illumination : 1000lx max. Measurement target : Non-transparent object surface	Linearity : ±0.1%FS Temperature characteristics : 0.03%FS/°C Ambient operating illumination : 7000lx max. Measurement target : Non-transparent object/Transparent surface
Product discontinuation Model ZG-WDS3(T)	Recommendable replacement Model ZG2-WDS3V(T)
Measurement center distance (Regular reflection) : 20mm Measurement center distance (Diffuse reflection) : 5.2mm Linearity : ±0.5%FS Temperature characteristics : 0.1%FS/°C Ambient operating illumination : 1000lx max. Measurement target : Non-transparent object surface	Measurement center distance (Regular reflection) : 22.3mm Measurement center distance (Diffuse reflection) : 10.6mm Linearity : ±0.1%FS Temperature characteristics : 0.08%FS/°C Ambient operating illumination : 7000lx max. Measurement target : Non-transparent object/Transparent surface
Product discontinuation Model ZG-WDC[(A)	Recommendable replacement Model ZG2-WDC[(A)
Number of registered setups : 4banks Sensitivity adjustment function : MULTI/AUTO/FIXED Measurement items : Height/2-point step/3-point step/ Edge position/Edge width/Angle/ Cross-sectional area/Calculation (max.4 items simultaneously selectable) Auxiliary functions : Position correction(height/position/slope)	Number of registered setups : 16banks Sensitivity adjustment function : MULTI/HS MULTI/AUTO/FIXED Measurement items : Height/Position/Step/ Width/Cross-sectional area/ Point of intersection angle/ Calculation (max.8 items simultaneously selectable) Auxiliary functions : Position correction(height/position/slope)/ Calculations between Controllers

Operation Characteristic

Product discontinuation
Model ZG-WDC[] (A)

Recommendable replacement
Model ZG2-WDC[] (A)

There is no change in the manner of operation of the controller product.



Display

Name	Function
(1) Judgment indicator	The indicator turns ON when the result of task judgment is OK, and turns OFF when a setting is not made, measurement is OFF, the result of a judgment is NG, or an error occurs.
(2) Laser indicator	The laser indicator turns ON while the Sensor is emitting a laser beam.
(3) Zero Reset indicator	The Zero Reset indicator turns ON when the zero reset function is enabled.
(4) Trigger indicator	The Trigger indicator turns ON when a trigger signal is input.
(5) LCD monitor	The LCD monitor displays setup menus and images captured from the Sensor Head.

Operation Panel

Name	Function
(1) Control keys	These keys are used for setting measurement conditions or switching the display.
(2) Mode switch	This switch selects the operation mode. FUN : Select this mode when setting measurement conditions. ADJ : Select this mode when adjusting the judgment threshold value. RUN : Select this mode when performing measurement. Measurement results and judgment results are output only when the RUN mode is currently selected.
(3) Menu switch	This switch selects the setup menu. STD : Standard menu. Select this when setting the minimum required items for measurement. EXP : Expert menu. Select this when making a more detailed setup.

Operation by PC configuration software 'Smart monitor'

The controller and PC are connected by the USB interface, and it is operated on PC. Software for Model ZG-WDC[] (A) is different from one for Model ZG2-WDC[] (A) though there is no change in the manner of operation.

- Software for Model ZG-WDC[] (A) : Smart monitor ZG (Model ZG-SW11)
- Software for Model ZG2-WDC[] (A) : Smart monitor ZG2 (Model ZG2-SW11)